



D-Subminiature Connector P.C.B Straight Male & Female Type

DHDPS Series (Plug)&(Socket)

FEATURES:

- . Contact positions: 15,26,44,62 and 78
- . Designed for cable-to-p.c.board application
- . For high reliability and high density packaging
- . Available in plug dip solder styles
- . Optional plating available
- . Mates with industry compatible connectors

MATERIALS:

- . Contacts: Brass
- . Housing: PBT+30% Glass Fiber (UL 94V-0)
- . Shell: Cold Roller Steel

ELECTRICAL CHARACTERISTICS:

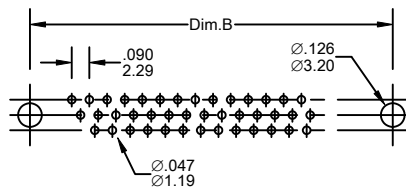
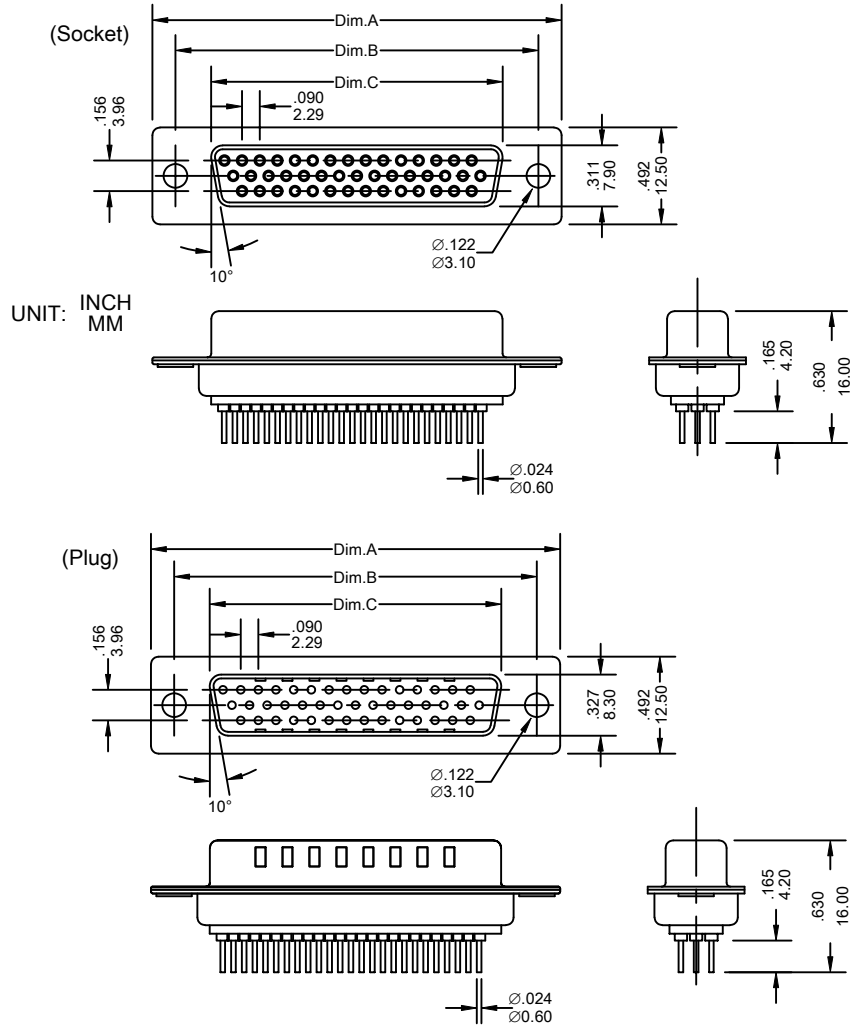
- . Current rating: 5 Amperes
- . Withstanding Voltage: AC 1000V r.m.s
- . Insulation Resistance: 5000 Megohms Minimum at DC 500V
- . Contact Resistance: 15 Milliohms Maximum
- . Operation Temperature: -55C° ~ +105C°
- . Applicable P.C. Board thickness: .063"[1.6mm]

MECHANICAL CHARACTERISTICS:

- . Contact Resistance Force: 341 g. Maximum
- . Contact Separation Force: 20 g. Minimum

FINISHES:

- . Contact: Gold Flash ,10,15,30,50u"
- . Shell: Nickel Plated, Tin Plated



PCB Hole Pattern

Ordering Information DHDPS Series

| Series No. | No. of Contacts | Contact Type | Shell Finish | Mounting Hole | Contacts Plating | Insulation Color | |
|--------------|-------------------|--------------------------------------|---------------------|--|--|--|------|
| DHDPS | - 25 | M - | 1 | 0 | 0 | 0 | - PB |
| DHDPS Series | 15 26 44 62 78 | M: Male (Plug) F: Female (Socket) | 0: Nickel 1: Tin | 0: Through Hole 1: Thread Insert #4-40 uncs 2: Front Rivete #4-40 nuts 3: Rear Rivet #4-40 nuts | 0: Gold Flash 1: 5u" Gold 2: 10u" Gold 3: 15u" Gold 4: 30u" Gold 5: Selective Gold Flash 6: Selective 5u" Gold 7: Selective 10u" Gold 8: Selective 15u" Gold 9: Selective 30u" Gold | 0: Black 1: Blue 2: White 3: Grey | RoHs |

Dimensional Information (Socket)

| Dim. | Circuits | 15 | 26 | 44 | 62 | 78 |
|--------|--------------|----------------|----------------|----------------|----------------|----------------|
| Dim.A± | .015 0.38 | 1.213 30.80 | 1.543 39.20 | 2.089 53.05 | 2.732 69.40 | 2.634 66.90 |
| Dim.B± | .005 0.13 | .984 25.00 | 1.311 33.30 | 1.852 47.05 | 2.500 63.50 | 2.406 61.10 |
| Dim.C± | .005 0.13 | .642 16.30 | .969 24.60 | 1.510 38.35 | 2.158 54.80 | 2.063 52.40 |

Dimensional Information (Plug)

| Dim. | Circuits | 15 | 26 | 44 | 62 | 78 |
|--------|--------------|----------------|----------------|----------------|----------------|----------------|
| Dim.A± | .015 0.38 | 1.213 30.80 | 1.543 39.20 | 2.089 53.05 | 2.732 69.40 | 2.634 66.90 |
| Dim.B± | .005 0.13 | .984 25.00 | 1.311 33.30 | 1.852 47.05 | 2.500 63.50 | 2.406 61.10 |
| Dim.C± | .005 0.13 | .665 16.90 | .994 25.25 | 1.534 38.95 | 2.181 55.40 | 2.083 52.90 |