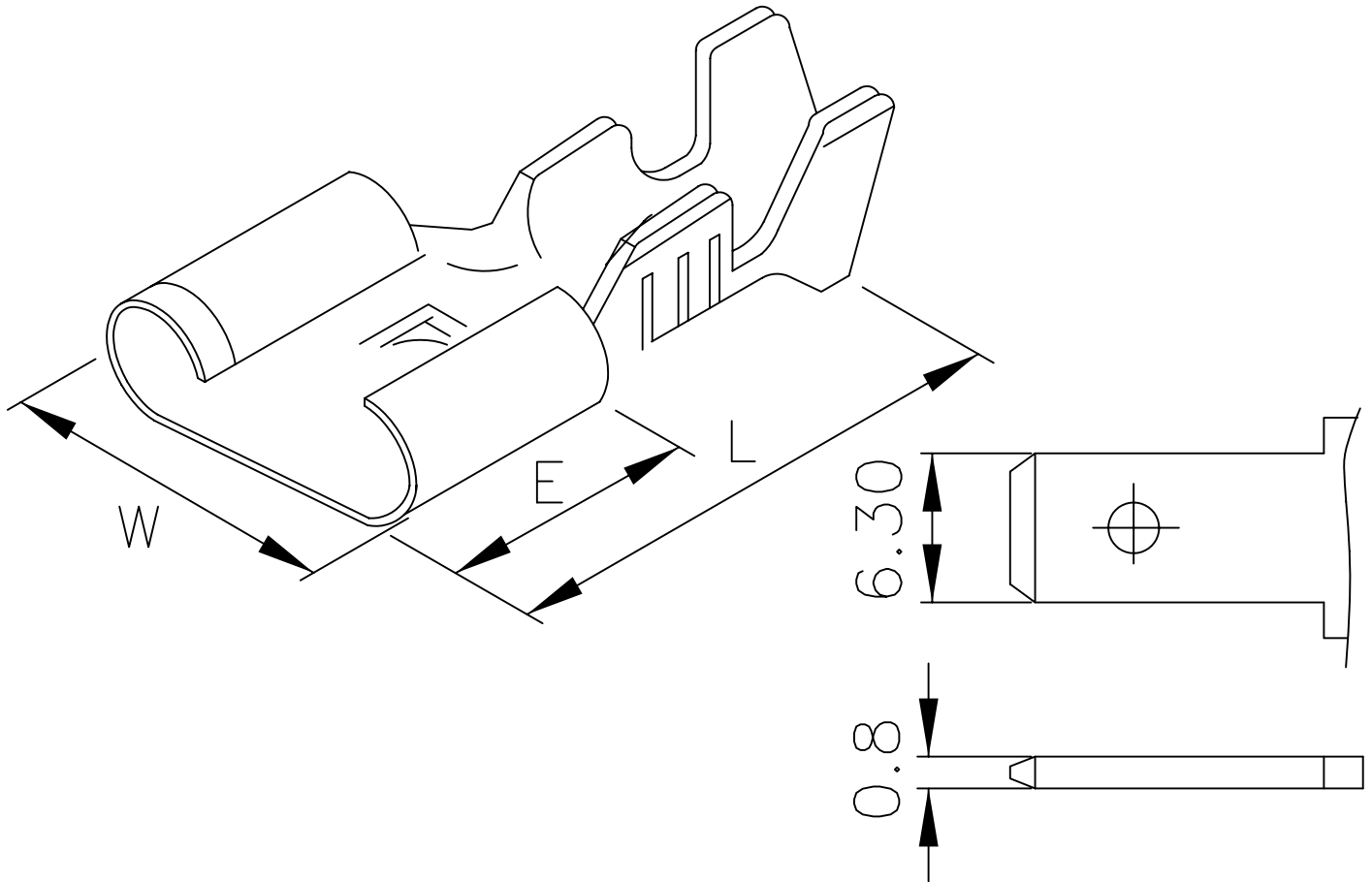


VEN



PART NO.	DIMENTION			WIRE RANGE		MATERIAL/ FINISH	STOCK THK	QTY/ RELL	N.W. Kgs	INSULATION O.D.mm
	W	E	L	AWG#	mm					
V17612BS-0	7.5	7.7	19.2	14-20	3.5-2.0	BRASS	0.3	4000	3.0	5.0-3.8
V17612BS-2	7.5	7.7	19.2	14-20	3.5-2.0	BRASS/TIN	0.3	4000	3.0	5.0-3.8