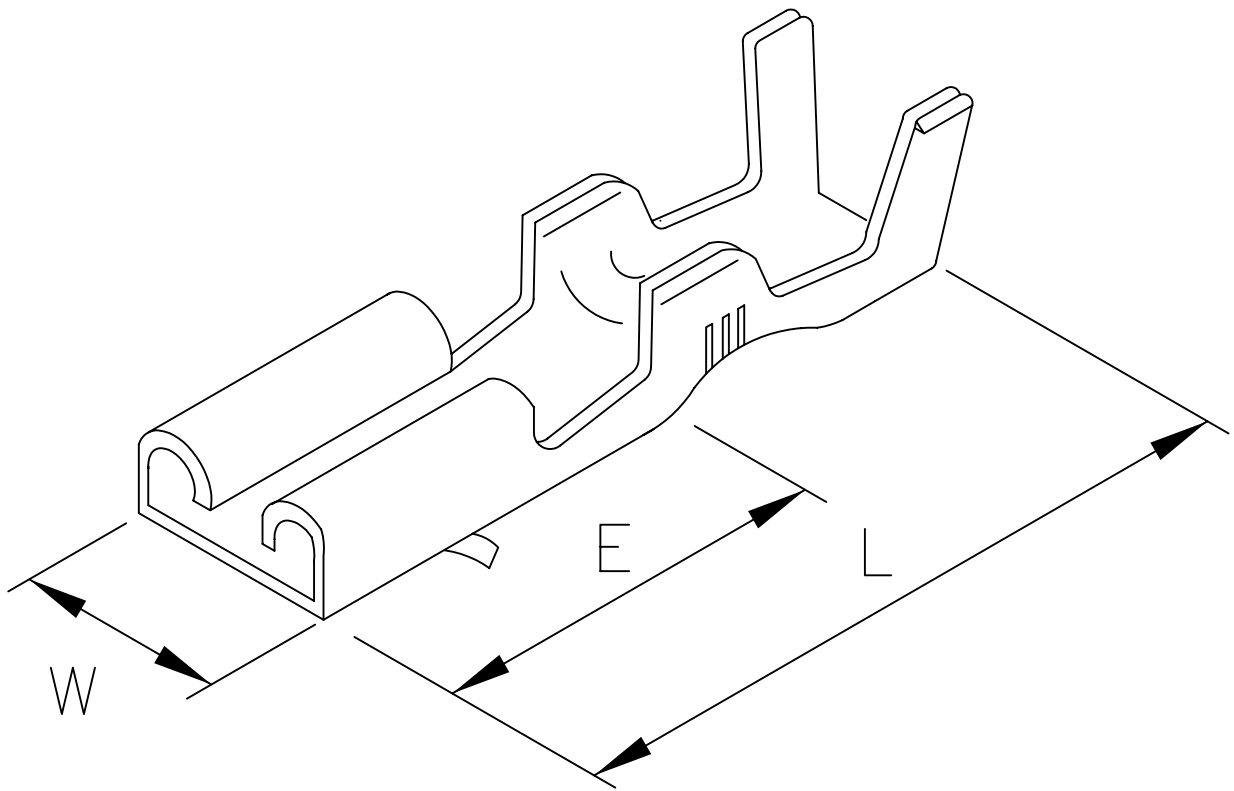


VEN



PART NO.	DIMENTION			WIRE RANGE		MATERIAL/ FINISH	STOCK THK	QTY/ RELL	N.W. Kgs	INSULATION O.D.mm
	W	E	L	AWG#	mm					
V1732BS-0	3.8	6.4	15.5	16-22	1.3-0.3	BRASS	0.25	10000	2.8	2.3-1.5
V1732BS-2	3.8	6.4	15.5	16-22	1.3-0.3	BRASS/TIN	0.25	10000	2.85	2.3-1.5
V1735BS-0	3.8	6.4	15.5	20-26	0.5-0.13	BRASS	0.25	10000	2.7	1.8-1.2
V1735BS-2	3.8	6.4	15.5	20-26	0.5-0.13	BRASS/TIN	0.25	10000	2.75	1.8-1.2