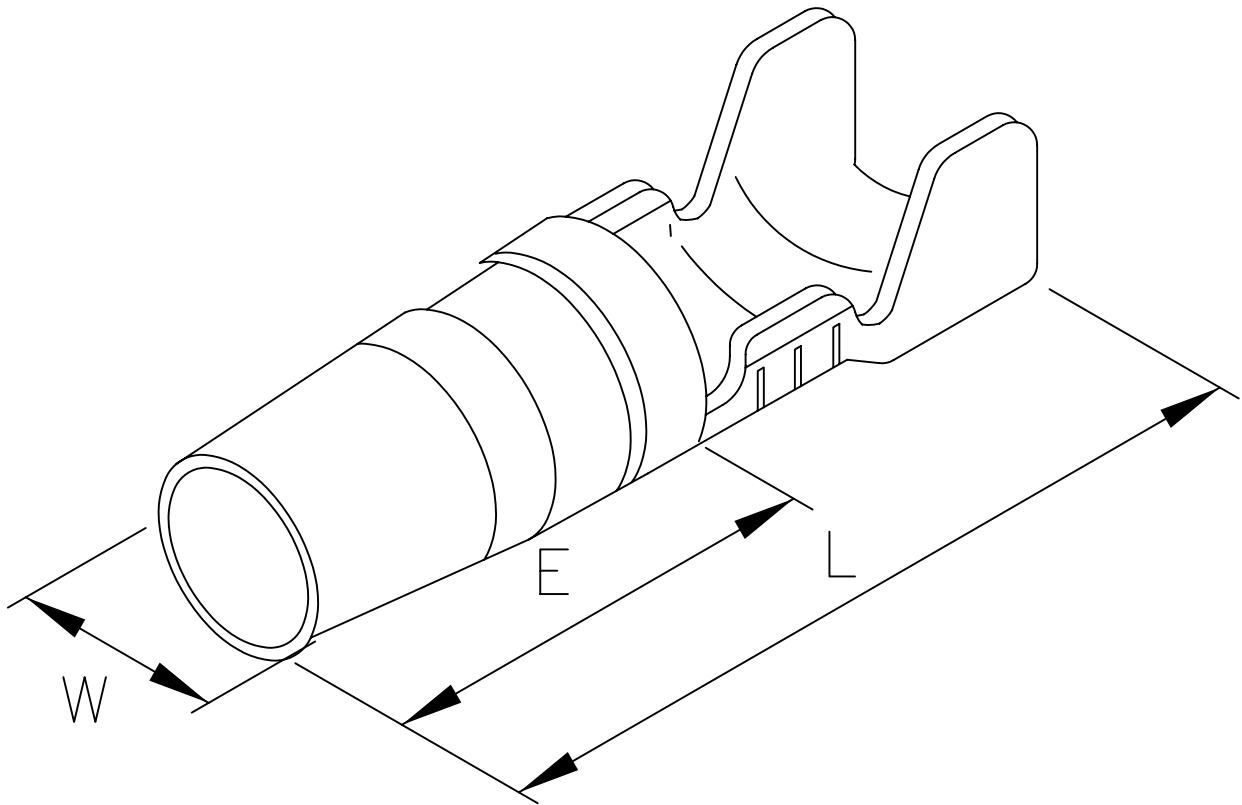


VEN



PART NO.	DIMENTION			WIRE RANGE		MATERIAL/ FINISH	STOCK THK	QTY/ RELL	N.W. Kgs	INSULATION O.D.mm
	W	E	L	AWG#	mm ²					
V1041BS-0	3.50	8.0	16.0	14-20	0.5-2.0	BRASS	0.4	10000	4.8	2.6-3.8
V1041BS-2	3.50	8.0	16.0	14-20	0.5-2.0	BRASS/TIN	0.4	10000	4.85	2.6-3.8
V1042BS-0	3.50	7.0	13.0	14-20	0.5-2.0	BRASS	0.4	10000	3.9	2.6-3.8
V1042BS-2	3.50	7.0	13.0	14-20	0.5-2.0	BRASS/TIN	0.4	10000	3.9	2.6-3.8
V1051BS-0	3.96	8.8	17.5	14-20	0.5-2.0	BRASS	0.4	10000	5.5	2.6-3.8
V1051BS-2	3.96	8.8	17.5	14-20	0.5-2.0	BRASS/TIN	0.4	10000	5.55	2.6-3.8