

**MATERLAL:**

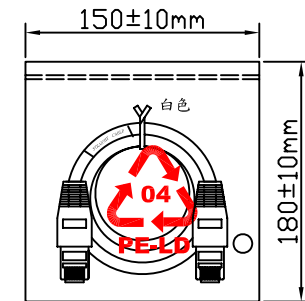
- A, B: 8P8C 6U" 94V-0 with SHELL
- C: CAT.5e STP 24# 4P OD:6.2mm  
L=1500+20/-0mm COLOR:10488 GRAY COPPER(ULC-736)
- D: MOLDING COLOR: C-413 GRAY
- E: HEAT SHRINK TUBE TRANSPARENT, PRINK:BLACK  
L=36mm PRINK:STRAIGHT CABLE.

**TEST CONDITION:**

1. ALL CABLE 100% TEST, OPEN, SHORT, MISSWIRE
2. INSULATION RESISTANCE:  $\geq 10M\Omega$  /DC 100V
3. CONTACT RESISTANCE:  $\leq 10m\Omega$  /DC 100V
4. DELAY TIME: 0.1~0.5sec

**CIRCUITS:**

	<i>A:8P8C</i>	<i>B:8P8C</i>
WHITE/ORANGE	1 ----- 1	WHITE/ORANGE
ORANGE	2 ----- 2	ORANGE
WHITE/GREEN	3 ----- 3	WHITE/GREEN
BLUE	4 ----- 4	BLUE
WHITE/BLUE	5 ----- 5	WHITE/BLUE
GREEN	6 ----- 6	GREEN
WHITE/BROWN	7 ----- 7	WHITE/BROWN
BROWN	8 ----- 8	BROWN
SHELL	-----	SHELL



UNLESS OTHERWISE SPECIFIED TOLERANCE	
ANG.	±5
0.	±0.3
.0	±0.25
.00	±0.20

SCALE:	AS SHOWN	UNIT:	mm
DRAWN	willis	DATE	2008-12-11
CHECKED	/ /		
APPROVED	/ /		

**Attend**  
ATTEND TECHNOLOGY INC.  
www.attend.com.tw

DRAWN NAME: CAT.5e STP CABLE

PRODUCT NO. LN-S-C5-1M5-12-01

FILE NAME: LN-S-C5-1M5-12-01

REV.	DESCRIPTION	DATE	SIZE	REV.
1			A4	