

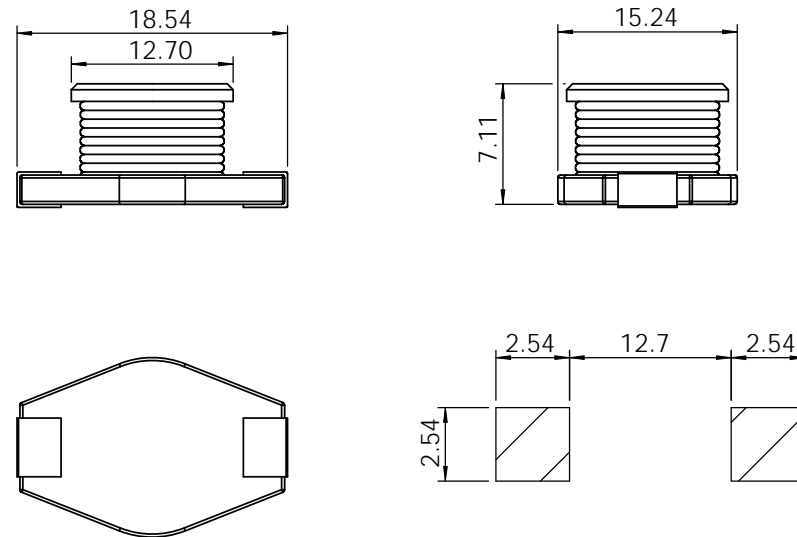
Part	L (μ H)	Tol %	R _{dc} MAX (Ω)	I _{dc} I _N (A)
DO5022T-1R0	1.0 @100 kHz	M	0.01	20
DO5022T-2R2	2.2 @100 kHz	M	0.01	16
DO5022T-3R3	3.3 @100 kHz	M	0.02	14
DO5022T-6R8	6.8 @100 kHz	M	0.02	12
DO5022T-100	10 @100 kHz	M	0.03	10
DO5022T-150	15 @100 kHz	M	0.04	8
DO5022T-220	22 @100 kHz	M	0.05	7
DO5022T-330	33 @100 kHz	M	0.07	5.5
DO5022T-470	47 @100 kHz	M	0.09	4.5
DO5022T-680	68 @100 kHz	M	0.13	3.5
DO5022T-101	100 @100 kHz	M	0.19	3
DO5022T-151	150 @100 kHz	M	0.25	2.6
DO5022T-221	220 @100 kHz	M	0.38	2.4
DO5022T-331	330 @100 kHz	M	0.56	1.9
DO5022T-471	470 @100 kHz	M	0.85	1.4
DO5022T-681	680 @100 kHz	M	1.2	1.2
DO5022T-102	1000 @100 kHz	M	1.8	1

SPECIFICATION

TYPE = DO5022
 CONSTRUCTION = SURFACE MOUNT POWER INDUCTOR
 TERMINAL COATING = NICKEL ALLOY OVER PHOS BRONZE
 OPERATING TEMP. = -40 TO +85 °C
 STORAGE TEMP = -55 TO +125 °C
 INSULATION RESISTANCE = 100M Ω m. 100V TERMINAL-CORE
 DIELECTRIC STRENGTH = 250Vac TERMINAL-CORE
 HUMIDITY EFFECTS = L \pm 5 @ 95%RH, 40 °C, 1HR
 Q \pm 5 @ 95%RH, 40 °C, 1HR
 PACKAGING = 1000PCS/REEL
 MARKING = 3 CHARACTERS, VALUE

NOTE

TOLERANCE M=20%.



PROPRIETARY AND CONFIDENTIAL THE INFORMATION CONTAINED IN THIS DRAWING IS THE SOLE PROPERTY OF AIT COMPONENTS LTD. ANY REPRODUCTION IN PART OR AS A WHOLE WITHOUT THE WRITTEN PERMISSION OF AIT COMPONENTS LTD IS STRICTLY PROHIBITED.		NAME	DATE	AIT COMPONENTS LTD www.aitcomponents.com
	DRAWN			
	CHECKED			TITLE:
	ENG APPR.			DO5022 SMD POWER INDUCTOR
MATERIAL	--	UNLESS OTHERWISE SPECIFIED DIMENSIONS ARE IN MILLIMETERS TOLERANCES: ONE PLACE DECIMAL +/-0.3 TWO PLACE DECIMAL +/-0.13 ANGLE +/-1 DEGREE		SIZE A DWG. NO. DO5022 SMD POWER INDUCTOR REV. 00
FINISH	--	DO NOT SCALE DRAWING		SCALE:1:1 SHEET 1 OF 1