

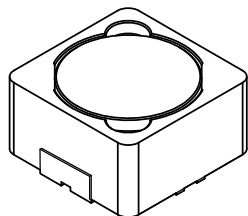
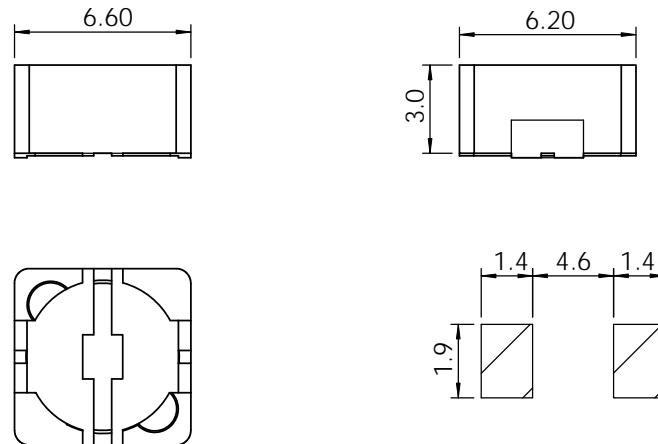
Part	L ( $\mu$ H)	Tol %	R <sub>bc</sub> MAX ( $\Omega$ )	I <sub>bc</sub> I <sub>N</sub> (A)
CDRH62B-2R9	2.9 @ 7.96MHz	N	0.068	1.94
CDRH62B-4R0	4.0 @ 7.96MHz	N	0.08	1.63
CDRH62B-5R5	5.5 @ 7.96MHz	N	0.096	1.4
CDRH62B-100	10 @ 1kHz	N	0.15	1.1
CDRH62B-120	12 @ 1kHz	N	0.2	1
CDRH62B-150	15 @ 1kHz	N	0.23	0.9
CDRH62B-180	18 @ 1kHz	N	0.27	0.8
CDRH62B-220	22 @ 1kHz	N	0.34	0.74
CDRH62B-270	27 @ 1kHz	N	0.38	0.66
CDRH62B-330	33 @ 1kHz	N	0.45	0.59
CDRH62B-390	39 @ 1kHz	N	0.49	0.54
CDRH62B-470	47 @ 1kHz	N	0.69	0.5
CDRH62B-560	56 @ 1kHz	N	0.78	0.46
CDRH62B-680	68 @ 1kHz	N	1.07	0.42
CDRH62B-820	82 @ 1kHz	N	1.21	0.38
CDRH62B-101	101 @ 1kHz	N	1.39	0.34
CDRH62B-121	121 @ 1kHz	N	1.9	0.31
CDRH62B-151	151 @ 1kHz	N	2.18	0.28
CDRH62B-181	181 @ 1kHz	N	2.77	0.26
CDRH62B-221	221 @ 1kHz	N	3.12	0.23
CDRH62B-271	271 @ 1kHz	N	4.38	0.22
CDRH62B-331	331 @ 1kHz	N	4.94	0.19

SPECIFICATION

TYPE = CDRH62B  
CONSTRUCTION = SURFACE MOUNT POWER INDUCTOR  
TERMINAL COATING = NICKEL / SILVER  
OPERATING TEMP. = -40 TO +85 °C  
STORAGE TEMP = -55 TO +125 °C  
INSULATION RESISTANCE = 100MOhm. 100V TERMINAL-CORE  
DIELECTRIC STRENGTH = 250Vac TERMINAL-CORE  
HUMIDITY EFFECTS = L±5 @ 95%RH, 40 °C, 1HR  
= Q±5 @ 95%RH, 40 °C, 1HR  
PACKAGING = 1500PCS/REEL  
MARKING = 3 CHARACTERS, VALUE

NOTE

TOLERANCES L=15%; M=20%; N=30%



<b>PROPRIETARY AND CONFIDENTIAL</b> THE INFORMATION CONTAINED IN THIS DRAWING IS THE SOLE PROPERTY OF AIT COMPONENTS LTD. ANY REPRODUCTION IN PART OR AS A WHOLE WITHOUT THE WRITTEN PERMISSION OF AIT COMPONENTS LTD IS STRICTLY PROHIBITED.	NAME	DATE	<b>AIT COMPONENTS LTD</b> www.aitcomponents.com
	DRAWN		
	CHECKED		
	ENG APPR.		TITLE:
MATERIAL	--	UNLESS OTHERWISE SPECIFIED DIMENSIONS ARE IN MILLIMETERS TOLERANCES: ONE PLACE DECIMAL +/-0.3 TWO PLACE DECIMAL +/-0.13 ANGLE +/-1 DEGREE	
FINISH	--	SIZE <b>A</b> DWG. NO. CDRH62B SMD POWER INDUCTOR SCALE:1:1	REV. <b>00</b> SHEET 1 OF 1
DO NOT SCALE DRAWING			