

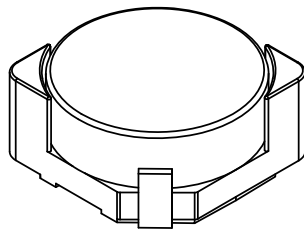
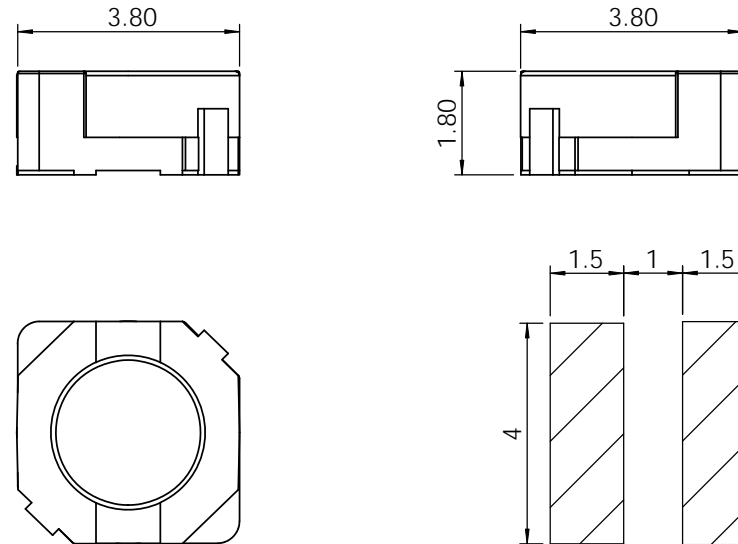
Part	L (μ H)	Tol %	R _{DC} MAX (Ω)	I _{bc} (mA)
CDRH3D16-1R5	1.5 @ 100KHz	N	43	1550
CDRH3D16-2R2	2.2 @ 100KHz	N	50	1200
CDRH3D16-3R3	3.3 @ 100KHz	N	63	1100
CDRH3D16-4R7	4.7 @ 100KHz	N	80	900
CDRH3D16-6R8	6.8 @ 100KHz	N	95	730
CDRH3D16-100	10 @ 100KHz	N	160	550
CDRH3D16-150	15 @ 100KHz	N	230	420
CDRH3D16-220	22 @ 100KHz	N	350	350
CDRH3D16-330	33 @ 100KHz	N	470	320

SPECIFICATION

TYPE = CDRH3D16
CONSTRUCTION = SURFACE MOUNT POWER INDUCTOR
TERMINAL COATING = NICKEL / SILVER
OPERATING TEMP. = -40 TO +85 °C
STORAGE TEMP. = -55 TO +125 °C
INSULATION RESISTANCE = 100MOhm. 100V TERMINAL-CORE
DIELECTRIC STRENGTH = 250Vac TERMINAL-CORE
HUMIDITY EFFECTS = L±5 @ 95%RH, 40 °C, 1HR
= Q±5 @ 95%RH, 40 °C, 1HR
PACKAGING = 2000PCS/REEL
MARKING = 3 CHARACTERS, VALUE

NOTE

TOLERANCES L=15%; M=20%; N=30%



PROPRIETARY AND CONFIDENTIAL THE INFORMATION CONTAINED IN THIS DRAWING IS THE SOLE PROPERTY OF AIT COMPONENTS LTD. ANY REPRODUCTION IN PART OR AS A WHOLE WITHOUT THE WRITTEN PERMISSION OF AIT COMPONENTS LTD IS STRICTLY PROHIBITED.	NAME	DATE	AIT COMPONENTS LTD www.aitcomponents.com	
	DRAWN			
	CHECKED		TITLE: CDRH3D16 SMD POWER INDUCTOR	
	ENG APPR			
MATERIAL	--	UNLESS OTHERWISE SPECIFIED DIMENSIONS ARE IN MILLIMETERS TOLERANCES: ONE PLACE DECIMAL +/-0.3 TWO PLACE DECIMAL +/-0.13 ANGLE +/-1 DEGREE		SIZE A DWG. NO. CDRH3D16 SMD POWER INDUCTOR REV. 00
FINISH	--	DO NOT SCALE DRAWING		SCALE:1:1 SHEET 1 OF 1