

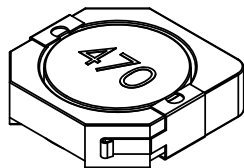
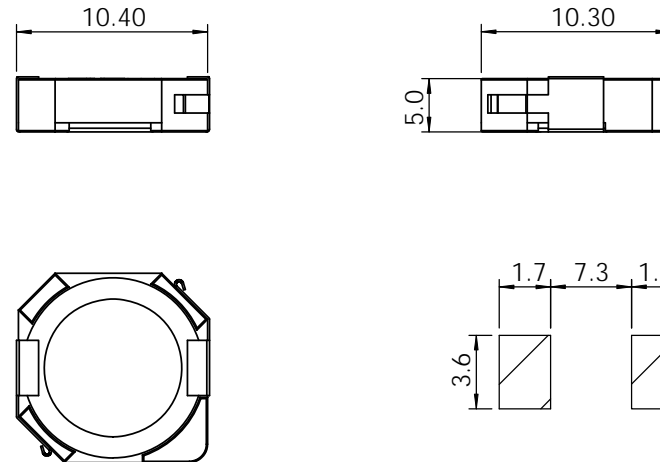
| Part | L (μ H) | Tol % | R _{DC} MAX (m Ω) | I _{bc} I _N (A) |
|--------------|-----------------|----------|---|--|
| CDRH105R-100 | 10 @ 100kHz | N | 25.8 | 3.5 |
| CDRH105R-120 | 12 @ 100kHz | N | 32 | 3.4 |
| CDRH105R-150 | 15 @ 100kHz | N | 40 | 2.8 |
| CDRH105R-180 | 18 @ 100kHz | N | 46 | 2.6 |
| CDRH105R-220 | 22 @ 100kHz | N | 58.5 | 2.4 |
| CDRH105R-270 | 27 @ 100kHz | N | 65.4 | 2.2 |
| CDRH105R-330 | 33 @ 100kHz | N | 81.4 | 1.9 |
| CDRH105R-390 | 39 @ 100kHz | N | 103.1 | 1.7 |
| CDRH105R-470 | 47 @ 100kHz | N | 122.1 | 1.6 |
| CDRH105R-560 | 56 @ 100kHz | N | 144.8 | 1.4 |
| CDRH105R-680 | 68 @ 100kHz | N | 193 | 1.4 |
| CDRH105R-820 | 82 @ 100kHz | N | 219.4 | 1.2 |
| CDRH105R-101 | 100 @ 100kHz | N | 247 | 1.1 |
| CDRH105R-121 | 120 @ 100kHz | N | 298.4 | 1 |
| CDRH105R-151 | 150 @ 100kHz | N | 355.1 | 0.9 |
| CDRH105R-181 | 180 @ 100kHz | N | 393.4 | 0.8 |
| CDRH105R-221 | 220 @ 100kHz | N | 483.8 | 0.8 |
| CDRH105R-271 | 270 @ 100kHz | N | 632.5 | 0.7 |
| CDRH105R-331 | 330 @ 100kHz | N | 780 | 0.6 |
| CDRH105R-391 | 390 @ 100kHz | N | 957.5 | 0.6 |
| CDRH105R-471 | 470 @ 100kHz | N | 1220 | 0.5 |
| CDRH105R-561 | 560 @ 100kHz | N | 1352 | 0.5 |
| CDRH105R-681 | 680 @ 100kHz | N | 1519 | 0.4 |
| CDRH105R-821 | 820 @ 100kHz | N | 1694 | 0.4 |
| CDRH105R-102 | 1000 @ 100kHz | N | 1946 | 0.4 |

SPECIFICATION

TYPE = CDRH105R
 CONSTRUCTION = SURFACE MOUNT POWER INDUCTOR
 TERMINAL COATING = NICKEL / SILVER
 OPERATING TEMP. = -40 TO +85 °C
 STORAGE TEMP = -55 TO +125 °C
 INSULATION RESISTANCE = 100MOhm. 100V TERMINAL-CORE
 DIELECTRIC STRENGTH = 250Vac TERMINAL-CORE
 HUMIDITY EFFECTS = L±5 @ 95%RH, 40 °C, 1HR
 Q±5 @ 95%RH, 40 °C, 1HR
 PACKAGING = 750PCS/REEL
 MARKING = 3 CHARACTERS, VALUE

NOTE

TOLERANCES L=15%; M=20%; N=30%



| | | | |
|--|---|---------------|---|
| PROPRIETARY AND CONFIDENTIAL THE INFORMATION CONTAINED IN THIS DRAWING IS THE SOLE PROPERTY OF AIT COMPONENTS LTD. ANY REPRODUCTION IN PART OR AS A WHOLE WITHOUT THE WRITTEN PERMISSION OF AIT COMPONENTS LTD IS STRICTLY PROHIBITED. | NAME | DATE | AIT COMPONENTS LTD www.aitcomponents.com |
| | DRAWN | | |
| | CHECKED | | |
| MATERIAL | UNLESS OTHERWISE SPECIFIED DIMENSIONS ARE IN MILLIMETERS TOLERANCES: ONE PLACE DECIMAL +/-0.3 TWO PLACE DECIMAL +/-0.13 ANGLE +/-1 DEGREE | | TITLE: CDRH105R SMD POWER INDUCTOR |
| FINISH | DO NOT SCALE DRAWING | SIZE A | DWG. NO. CDRH105R SMD POWER INDUCTOR REV. 00 |
| SCALE:1:1 | | SHEET 1 OF 1 | |