

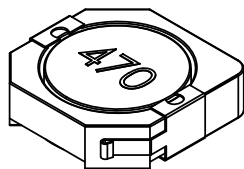
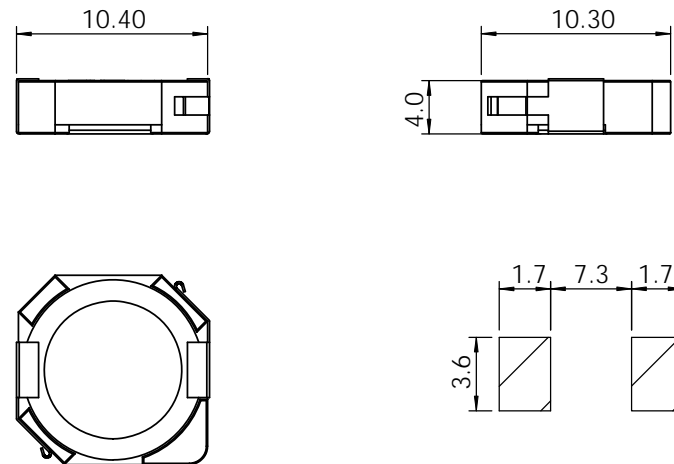
Part	L ( $\mu$ H)	Tol %	R <sub>DC</sub> MAX (m $\Omega$ )	I <sub>DC</sub> I <sub>N</sub> (A)
CDRH104R-1R3	1.3 @ 100kHz	N	8.1	10
CDRH104R-2R5	2.5 @ 100kHz	N	10	7.5
CDRH104R-3R8	3.8 @ 100kHz	N	13	6
CDRH104R-5R2	5.2 @ 100kHz	N	22	5.5
CDRH104R-7R0	7.0 @ 100kHz	N	27	4.8
CDRH104R-100	10 @ 100kHz	N	35	4.4
CDRH104R-150	15 @ 100kHz	N	50	3.6
CDRH104R-220	22 @ 100kHz	N	73	2.9
CDRH104R-330	33 @ 100kHz	N	93	2.3
CDRH104R-470	47 @ 100kHz	N	128	2.1
CDRH104R-680	68 @ 100kHz	N	213	1.5
CDRH104R-101	100 @ 100kHz	N	304	1.4
CDRH104R-151	150 @ 100kHz	N	506	1.2
CDRH104R-221	220 @ 100kHz	N	756	0.9
CDRH104R-331	330 @ 100kHz	N	1090	0.7

## SPECIFICATION

TYPE	= CDRH104R
CONSTRUCTION	= SURFACE MOUNT POWER INDUCTOR
TERMINAL COATING	= NICKEL / SILVER
OPERATING TEMP.	= -40 TO +85 °C
STORAGE TEMP.	= -55 TO +125 °C
INSULATION RESISTANCE	= 100M $\Omega$ . 100V TERMINAL-CORE
DIELECTRIC STRENGTH	= 250Vac TERMINAL-CORE
HUMIDITY EFFECTS	= L $\pm$ 5 @ 95%RH, 40 °C, 1HR Q $\pm$ 5 @ 95%RH, 40 °C, 1HR
PACKAGING	= 750PCS/REEL
MARKING	= 3 CHARACTERS, VALUE

## NOTE

TOLERANCES L=15%; M=20%; N=30%



<b>PROPRIETARY AND CONFIDENTIAL</b> THE INFORMATION CONTAINED IN THIS DRAWING IS THE SOLE PROPERTY OF AIT COMPONENTS LTD. ANY REPRODUCTION IN PART OR AS A WHOLE WITHOUT THE WRITTEN PERMISSION OF AIT COMPONENTS LTD IS STRICTLY PROHIBITED.		NAME	DATE	AIT COMPONENTS LTD www.aitcomponents.com
	DRAWN			
	CHECKED			
	MATERIAL	--	UNLESS OTHERWISE SPECIFIED DIMENSIONS ARE IN MILLIMETERS TOLERANCES: ONE PLACE DECIMAL +/-0.3 TWO PLACE DECIMAL +/-0.13 ANGLE +/-1 DEGREE	
FINISH	--	DO NOT SCALE DRAWING		SIZE <b>A</b> DWG. NO. CDRH104R SMD POWER INDUCTOR REV. <b>00</b>
SCALE:1:1			SHEET 1 OF 1	