

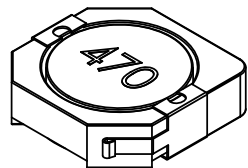
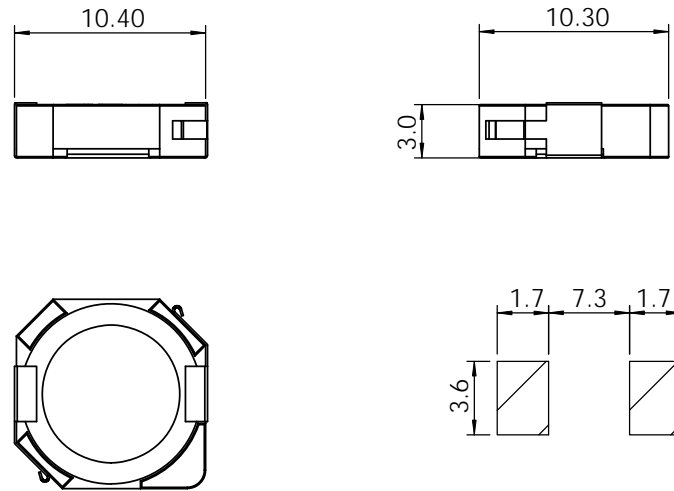
Part	L ( $\mu$ H)	Tol %	R <sub>DC</sub> MAX (m $\Omega$ )	I <sub>bc</sub> I <sub>N</sub> (A)
CDRH103R-100	10 @ 100kHz	N	58.1	2.7
CDRH103R-120	12 @ 100kHz	N	72.1	2.3
CDRH103R-150	15 @ 100kHz	N	86.5	2.2
CDRH103R-180	18 @ 100kHz	N	116.1	1.9
CDRH103R-220	22 @ 100kHz	N	145.4	1.8
CDRH103R-270	27 @ 100kHz	N	175.9	1.6
CDRH103R-330	33 @ 100kHz	N	213.4	1.2
CDRH103R-390	39 @ 100kHz	N	268.9	1.3
CDRH103R-470	47 @ 100kHz	N	298.6	1.2
CDRH103R-560	56 @ 100kHz	N	335.8	1.1
CDRH103R-680	68 @ 100kHz	N	451.3	1
CDRH103R-820	82 @ 100kHz	N	513.8	0.9
CDRH103R-101	100 @ 100kHz	N	700	0.8
CDRH103R-121	120 @ 100kHz	N	765	0.8
CDRH103R-151	150 @ 100kHz	N	876.3	0.7

SPECIFICATION

TYPE = CDRH103R  
 CONSTRUCTION = SURFACE MOUNT POWER INDUCTOR  
 TERMINAL COATING = NICKEL / SILVER  
 OPERATING TEMP. = -40 TO +85 °C  
 STORAGE TEMP = -55 TO +125 °C  
 INSULATION RESISTANCE = 100MOhm. 100V TERMINAL-CORE  
 DIELECTRIC STRENGTH = 250Vac TERMINAL-CORE  
 HUMIDITY EFFECTS = L±5 @ 95%RH, 40 °C, 1HR  
 Q±5 @ 95%RH, 40 °C, 1HR  
 PACKAGING = 1000PCS/REEL  
 MARKING = 3 CHARACTERS, VALUE

NOTE

TOLERANCES L=15%; M=20%; N=30%



<b>PROPRIETARY AND CONFIDENTIAL</b> THE INFORMATION CONTAINED IN THIS DRAWING IS THE SOLE PROPERTY OF AIT COMPONENTS LTD. ANY REPRODUCTION IN PART OR AS A WHOLE WITHOUT THE WRITTEN PERMISSION OF AIT COMPONENTS LTD IS STRICTLY PROHIBITED.	NAME	DATE	AIT COMPONENTS LTD www.aitcomponents.com
	DRAWN		
	CHECKED		
MATERIAL	UNLESS OTHERWISE SPECIFIED DIMENSIONS ARE IN MILLIMETERS TOLERANCES: ONE PLACE DECIMAL +/-0.3 TWO PLACE DECIMAL +/-0.13 ANGLE +/-1 DEGREE		TITLE:  CDRH103R SMD POWER INDUCTOR
FINISH	DO NOT SCALE DRAWING		SIZE <b>A</b> DWG. NO. CDRH103R SMD POWER INDUCTOR REV. <b>00</b>
SCALE:1:1			SHEET 1 OF 1