

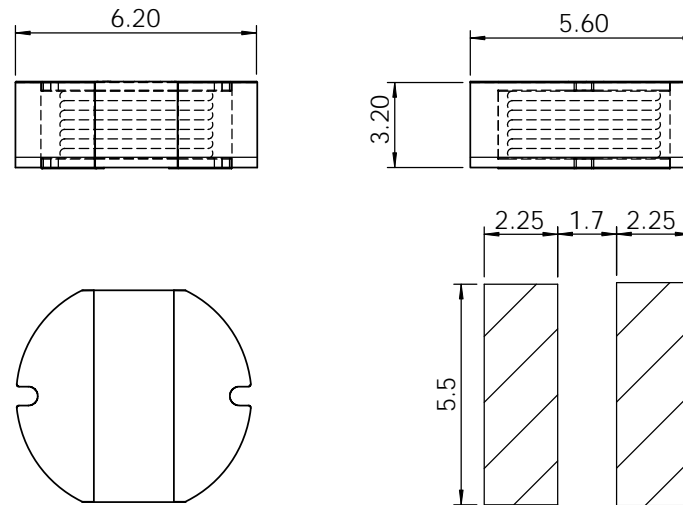
| Part       | L<br>( $\mu$ H) | Tol<br>% | R <sub>DC</sub><br>MAX<br>( $\Omega$ ) | I <sub>DC</sub><br>I <sub>N</sub><br>(A) |
|------------|-----------------|----------|--|--|
| CDR63B-100 | 10 @ 2.52 MHz   | M        | 0.14                                   | 1  |
| CDR63B-120 | 12 @ 2.52 MHz   | M        | 0.16                                   | 0.94                                     |
| CDR63B-150 | 15 @ 2.52 MHz   | M        | 0.18                                   | 0.86                                     |
| CDR63B-220 | 22 @ 2.52 MHz   | M        | 0.25                                   | 0.76                                     |
| CDR63B-270 | 27 @ 2.52 MHz   | M        | 0.32                                   | 0.64                                     |
| CDR63B-330 | 33 @ 2.52 MHz   | L,M      | 0.36                                   | 0.61                                     |
| CDR63B-390 | 39 @ 2.52 MHz   | L,M      | 0.41                                   | 0.53                                     |
| CDR63B-470 | 47 @ 2.52 MHz   | L,M      | 0.51                                   | 0.5                                      |
| CDR63B-560 | 56 @ 2.52 MHz   | L,M      | 0.72                                   | 0.46                                     |
| CDR63B-680 | 68 @ 2.52 MHz   | L,M      | 0.82                                   | 0.42                                     |

SPECIFICATION

TYPE = CDR63B  
CONSTRUCTION = SURFACE MOUNT POWER INDUCTOR  
TERIMAL COATING = NICKEL / SILVER  
OPERATING TEMP. = -40 TO +85 °C  
STORAGE TEMP = -55 TO +125 °C  
INSULATION RESISTANCE = 100M $\Omega$ m. 100V TERMINAL-CORE  
DIELECTRIC STRENGTH = 250Vac TERMINAL-CORE  
HUMIDITY EFFECTS = L $\pm$ 5 @ 95%RH, 40 °C, 1HR  
Q $\pm$ 5 @ 95%RH, 40 °C, 1HR  
PACKAGING = 1500PCS/REEL  
MARKING = 3 CHARACTERS, VALUE

NOTE

TOLERANCES L=15%; M=20%.



|  |   |      |   |
|--|---|------|---|
| <b>PROPRIETARY AND CONFIDENTIAL</b><br>THE INFORMATION CONTAINED IN THIS DRAWING IS THE SOLE PROPERTY OF AIT COMPONENTS LTD. ANY REPRODUCTION IN PART OR AS A WHOLE WITHOUT THE WRITTEN PERMISSION OF AIT COMPONENTS LTD IS STRICTLY PROHIBITED. | NAME  | DATE | <b>AIT COMPONENTS LTD</b><br>www.aitcomponents.com              |
|  | DRAWN   |      |   |
|  | CHECKED   |      |   |
| MATERIAL   | UNLESS OTHERWISE SPECIFIED DIMENSIONS ARE IN MILLIMETERS<br>TOLERANCES:<br>ONE PLACE DECIMAL +/-0.3<br>TWO PLACE DECIMAL +/-0.13<br>ANGLE +/-1 DEGREE |      | SIZE <b>A</b> DWG. NO. CDR63B SMD POWER INDUCTOR REV. <b>00</b> |
| FINISH   | DO NOT SCALE DRAWING  |      | SCALE:1:1 SHEET 1 OF 1  |