

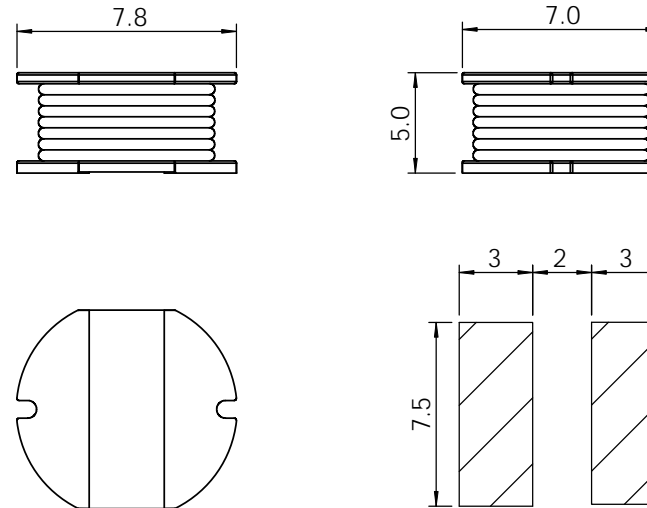
Part	L (μ H)	Tol %	R _{DC} MAX (Ω)	I _{bc} I _N (A)
CD75-100	10 @2.52 MHz	K	0.07	2.3
CD75-120	12 @2.52 MHz	K	0.08	2
CD75-150	15 @2.52 MHz	K	0.09	1.8
CD75-180	18 @2.52 MHz	K	0.1	1.6
CD75-220	22 @2.52 MHz	K	0.11	1.5
CD75-270	27 @2.52 MHz	K	0.12	1.3
CD75-330	33 @2.52 MHz	K	0.13	1.2
CD75-390	39 @2.52 MHz	K	0.16	1.1
CD75-470	47 @2.52 MHz	K	0.18	1.1
CD75-560	56 @2.52 MHz	K	0.24	0.9
CD75-680	68 @2.52 MHz	K	0.28	0.9
CD75-820	82 @2.52 MHz	K	0.37	0.8
CD75-101	100 @1.0 kHz	K	0.43	0.7
CD75-121	120 @1.0 kHz	K	0.47	0.7
CD75-151	150 @1.0 kHz	K	0.64	0.6
CD75-181	180 @1.0 kHz	K	0.71	0.5
CD75-221	220 @1.0 kHz	K	0.96	0.5
CD75-271	270 @1.0 kHz	K	1.11	0.4
CD75-331	330 @1.0 kHz	K	1.26	0.4
CD75-391	390 @1.0 kHz	K	1.77	0.4
CD75-471	470 @1.0 kHz	K	1.96	0.3

SPECIFICATION

TYPE = CD75
 CONSTRUCTION = SURFACE MOUNT POWER INDUCTOR
 TERMINAL COATING = NICKEL
 OPERATING TEMP. = -40 TO +85 °C
 STORAGE TEMP = -55 TO +125 °C
 INSULATION RESISTANCE = 100MOhm. 100V TERMINAL-CORE
 DIELECTRIC STRENGTH = 250Vac TERMINAL-CORE
 HUMIDITY EFFECTS = L \pm 5 @ 95%RH, 40 °C, 1HR
 Q \pm 5 @ 95%RH, 40 °C, 1HR
 PACKAGING = 1000PCS/REEL
 MARKING = 3 CHARACTERS, VALUE

NOTE

TOLERANCES K=10%; M=20%.



PROPRIETARY AND CONFIDENTIAL THE INFORMATION CONTAINED IN THIS DRAWING IS THE SOLE PROPERTY OF AIT COMPONENTS LTD. ANY REPRODUCTION IN PART OR AS A WHOLE WITHOUT THE WRITTEN PERMISSION OF AIT COMPONENTS LTD IS STRICTLY PROHIBITED.		NAME	DATE	AIT COMPONENTS LTD www.aitcomponents.com
	DRAWN			
	CHECKED			TITLE:
	ENG APPR.			CD75 SMD POWER INDUCTOR
MATERIAL	--	UNLESS OTHERWISE SPECIFIED DIMENSIONS ARE IN MILLIMETERS TOLERANCES: ONE PLACE DECIMAL +/-0.3 TWO PLACE DECIMAL +/-0.13 ANGLE +/-1 DEGREE		SIZE A DWG. NO. CD75 SMD POWER INDUCTOR REV. 00
FINISH	--	DO NOT SCALE DRAWING		SCALE:1:1 SHEET 1 OF 1