

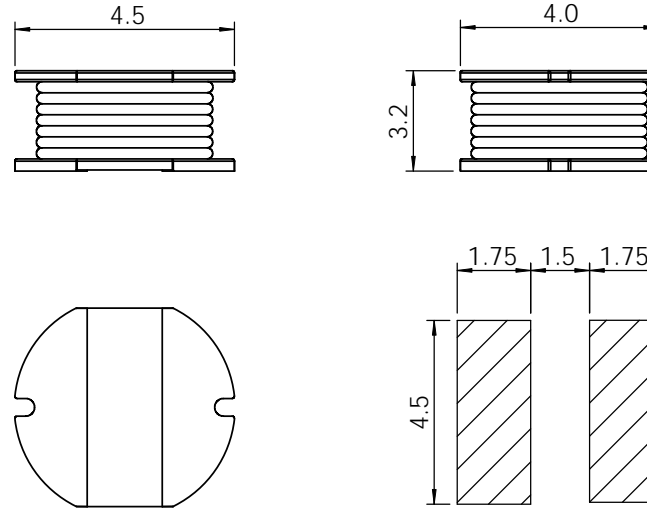
Part	L (μH)	Tol %	R <sub>DC</sub> MAX (Ω)	I <sub>bc</sub> I <sub>N</sub> (A)
CD43-1R0	1.0 @7.96 MHz	M	48.70m	2.6
CD43-1R4	1.5 @7.96 MHz	M	56.20m	2.5
CD43-1R8	1.8 @7.96 MHz	M	63.70m	2
CD43-2R2	2.2 @7.96 MHz	M	71.20m	1.8
CD43-2R7	2.7 @7.96 MHz	M	78.70m	1.6
CD43-3R3	3.3 @7.96 MHz	M	86.20m	1.4
CD43-3R9	3.9 @7.96 MHz	M	93.70m	1.3
CD43-4R7	4.7 @7.96 MHz	M	108.70m	1.2
CD43-5R6	5.6 @7.96 MHz	M	125.70m	1
CD43-6R8	6.8 @7.96 MHz	M	131.20m	1
CD43-8R2	8.2 @7.96 MHz	M	146.20m	0.8
CD43-100	10 @2.52 MHz	M	0.182	1
CD43-120	12 @2.52 MHz	M	0.21	1
CD43-150	15 @2.52 MHz	M	0.235	0.9
CD43-220	22 @2.52 MHz	M	0.378	0.7
CD43-270	27 @2.52 MHz	M	0.522	0.6
CD43-330	33 @2.52 MHz	K	0.54	0.6
CD43-390	39 @2.52 MHz	K	0.587	0.5
CD43-470	47 @2.52 MHz	K	0.844	0.4
CD43-560	56 @2.52 MHz	K	0.937	0.4
CD43-680	68 @2.52 MHz	K	1.117	0.4

**SPECIFICATION**

TYPE = CD43  
 CONSTRUCTION = SURFACE MOUNT POWER INDUCTOR  
 TERMINAL COATING = NICKEL  
 OPERATING TEMP. = -40 TO +85 °C  
 STORAGE TEMP = -55 TO +125 °C  
 INSULATION RESISTANCE = 100MOhm. 100V TERMINAL-CORE  
 DIELECTRIC STRENGTH = 250Vac TERMINAL-CORE  
 HUMIDITY EFFECTS = L±5 @ 95%RH, 40 °C, 1HR  
 Q±5 @ 95%RH, 40 °C, 1HR  
 PACKAGING = 2000PCS/REEL  
 MARKING = 3 CHARACTERS, VALUE

**NOTE**

TOLERANCES K=10%; M=20%.



<b>PROPRIETARY AND CONFIDENTIAL</b> THE INFORMATION CONTAINED IN THIS DRAWING IS THE SOLE PROPERTY OF AIT COMPONENTS LTD ANY REPRODUCTION IN PART OR AS A WHOLE WITHOUT THE WRITTEN PERMISSION OF AIT COMPONENTS LTD IS STRICTLY PROHIBITED.		NAME	DATE	<b>AIT COMPONENTS LTD</b> <a href="http://www.aitcomponents.com">www.aitcomponents.com</a>
	DRAWN			
	MATERIAL	--	CHECKED	
FINISH	--	ENG APPR.		
UNLESS OTHERWISE SPECIFIED DIMENSIONS ARE IN MILLIMETERS TOLERANCES: ONE PLACE DECIMAL +/-0.3 TWO PLACE DECIMAL +/-0.13 ANGLE +/-1 DEGREE				SCALE:1:1
		SIZE <b>A</b>	DWG. NO. CD43 SMD INDUCTOR	REV. <b>00</b>
			DO NOT SCALE DRAWING	SHEET 1 OF 1