

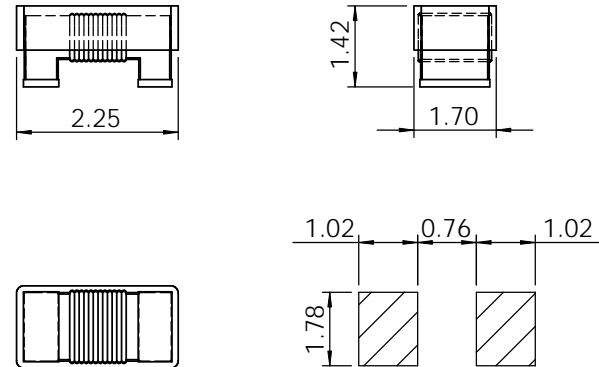
Part	L	Tol	Q Min.	SRF	RDC	IDC
	(nH)	%	(**MHz)	Min. (MHz)	MAX (Ω)	IN (mA)
CCFH0805-3N3	3.3 @250MHz	J,K	50	>3000	0.07	600
CCFH0805-3N9	3.9 @250MHz	J,K	50	>3000	0.08	600
CCFH0805-4N7	4.7 @250MHz	J,K	50	>3000	0.09	600
CCFH0805-5N6	5.6 @250MHz	J,K	50	>3000	0.11	600
CCFH0805-6N8	6.8 @250MHz	J,K	50	>3000	0.12	600
CCFH0805-8N2	8.2 @250MHz	J,K	45	>3000	0.15	600
CCFH0805-010	10 @250MHz	J,K	45	2700	0.19	600
CCFH0805-012	12 @250MHz	G,J,K	45	2700	0.2	600
CCFH0805-015	15 @250MHz	G,J,K	45	2500	0.21	600
CCFH0805-018	18 @250MHz	G,J,K	45	2300	0.21	600
CCFH0805-022	22 @250MHz	G,J,K	45	2200	0.22	500
CCFH0805-027	27 @250MHz	G,J,K	45	2000	0.24	500
CCFH0805-033	33 @250MHz	G,J,K	40	1900	0.27	500
CCFH0805-039	39 @250MHz	G,J,K	40	1700	0.29	500
CCFH0805-047	47 @200MHz	G,J,K	40	1500	0.31	500
CCFH0805-056	56 @200MHz	G,J,K	40	1300	0.34	500
CCFH0805-068	68 @200MHz	G,J,K	40	1200	0.38	400
CCFH0805-082	82 @150MHz	G,J,K	40	1100	0.43	400
CCFH0805-R10	100 @150MHz	G,J,K	40	1050	0.46	400
CCFH0805-R12	120 @150MHz	G,J,K	35	950	0.47	400
CCFH0805-R15	150 @100MHz	G,J,K	35	800	0.5	400
CCFH0805-R18	180 @100MHz	G,J,K	35	750	0.65	400
CCFH0805-R22	220 @100MHz	G,J,K	30	630	0.7	400
CCFH0805-R27	270 @50MHz	G,J,K	30	550	0.78	400
CCFH0805-R33	330 @50MHz	G,J,K	30	500	0.86	400
CCFH0805-R39	390 @50MHz	G,J,K	30	450	0.95	400
CCFH0805-R47	470 @50MHz	G,J,K	30	425	1.06	400
CCFH0805-R56	560 @50MHz	G,J,K	30	400	1.14	400
CCFH0805-R68	680 @50MHz	G,J,K	30	350	1.33	400
CCFH0805-R75	750 @50MHz	G,J,K	30	350	1.42	400
CCFH0805-R82	820 @50MHz	G,J,K	30	325	1.58	400

SPECIFICATION

TYPE = CCFH0805
CONSTRUCTION = WOUND CERAMIC CHIP
TERMINAL COATING = SILVER/NICKEL PLATE
OPERATING TEMP. = -40 TO +125 °C
STORAGE TEMP = -55 TO +155 °C
INSULATION RESISTANCE = 100MΩm. 100V TERMINAL-CORE
DIELECTRIC STRENGTH = 250Vac TERMINAL-CORE
HUMIDITY EFFECTS = L±5 @ 95%RH, 40 °C, 1HR
Q±5 @ 95%RH, 40 °C, 1HR
PACKAGING = 3000PCS/REEL
MARKING = NONE

NOTE

TOLERANCES G=2%; J=5%; K=10%.
** = TEST FREQUENCY AS SPECIFIED IN 'L' COLUMN



PROPRIETARY AND CONFIDENTIAL THE INFORMATION CONTAINED IN THIS DRAWING IS THE SOLE PROPERTY OF AIT COMPONENTS LTD. ANY REPRODUCTION IN PART OR AS A WHOLE WITHOUT THE WRITTEN PERMISSION OF AIT COMPONENTS LTD IS STRICTLY PROHIBITED.	NAME	DATE	AIT COMPONENTS LTD www.aitcomponents.com
	DRAWN		
	CHECKED		
	ENG APPR.		TITLE:
	UNLESS OTHERWISE SPECIFIED DIMENSIONS ARE IN MILLIMETERS TOLERANCES: ONE PLACE DECIMAL +/-0.3 TWO PLACE DECIMAL +/-0.13 ANGLE +/-1 DEGREE		CCFH0805 WIRE WOUND COIL
MATERIAL	--	SIZE A DWG. NO. CCFH0805 WIRE WOUND COIL	REV. 00
FINISH	--	DO NOT SCALE DRAWING	
		SCALE:1:1	SHEET 1 OF 1