

.049" (1.25mm) Center Wafer Assembly

9226 Series

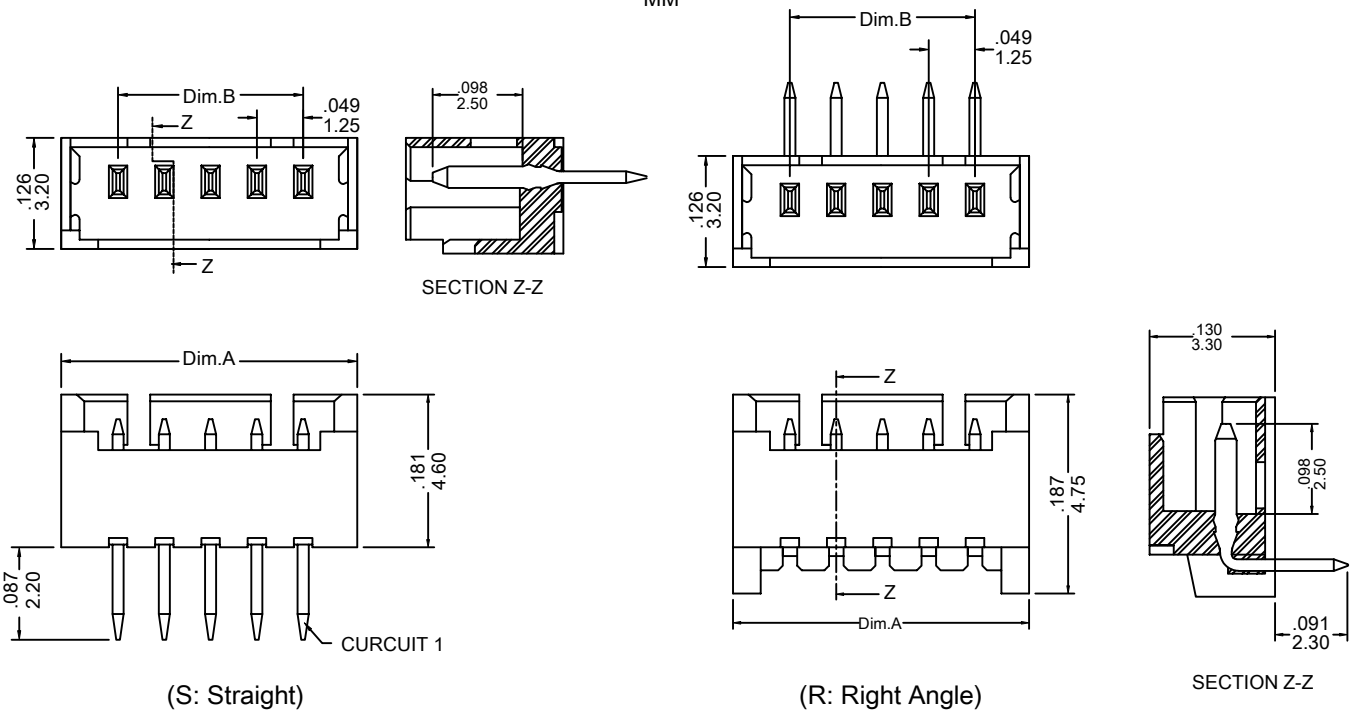
FEATURES:

- . 2-15 Circuits
- . .013" [0.35mm] round wire pins brass
- . Nylon 46, [UL 94V-0]
- . Contact: Phosphor Bronze
- . Mates with 9225 PC Board connectors

SPECIFICATIONS:

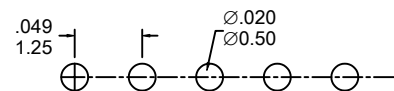
- . Current rating: 1A AC, DC
- . Voltage rating: 125V AC, Maximum
- . Temperature range: -40°C ~ +85°C
- . Dielectric Withstanding Voltage: 250V AC/1 min
- . Insulation resistance: 100 MΩ min
- . Applicable PC Board thickness 08 ~ 1.6mm
- . Contact resistance: 20mΩ max

UNIT: INCH
MM



Ordering Information 9226 Series

Series No.	No. of Contacts	Contact Type	Contact Plating	
9226	- 05P	S	T	- PB
9226 Series	02P ~ 15P	S: Straight R: Right Angle	T: Tin	RoHs



PCB LAYOUT: COMPONENT SIDE
RECOMMENDED PCB THICKNESS: 0.80 ± 0.10
 $.031 \pm 0.04$

Dimensional Information

Circuits	Dim.A± 0.08 0.20	Dim.B± 0.08 0.20	Circuits	Dim.A± 0.08 0.20	Dim.B± 0.08 0.20	Circuits	Dim.A± 0.08 0.20	Dim.B± 0.08 0.20
2	.167 4.25	.049 1.25	4	.266 6.75	.147 3.75	6	.364 9.25	.246 6.25
3	.217 5.50	.098 2.50	5	.315 8.00	.196 5.00	7	.413 10.50	.295 7.50

9226 Series

* FOR CIRCUIT SIZES 8 THROUGH 15 ADD .049" OR 1.25MM FOR EACH ADDITIONAL PIN.