

# .295" -.197" (7.5mm - 5.0mm) Center Crimp Terminal Housing



## 7550 Series

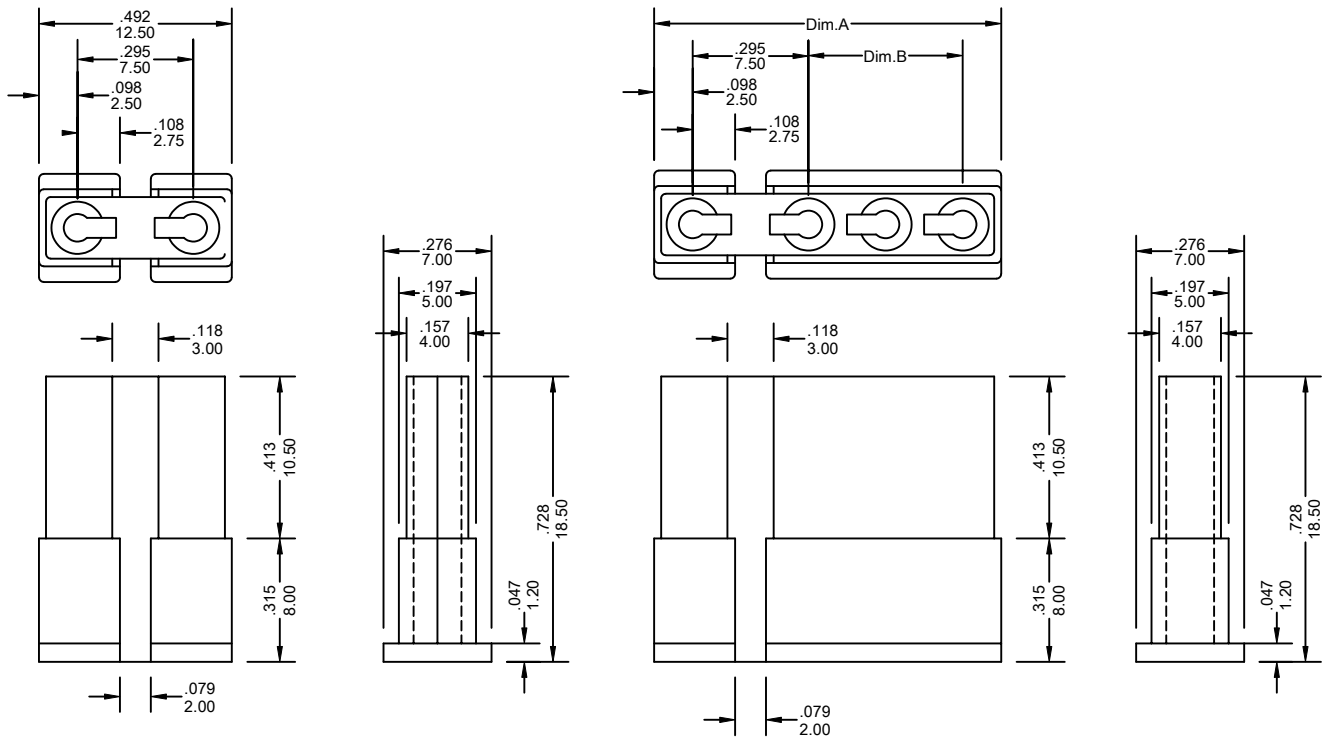
### FEATURES:

- . 1-6 Circuits
- . Nylon [UL 94V-0]
- . Accepts double cantilever crimp terminal [7550-T]
- . Mates with .061"[1.55mm] round wire pins
- . Terminal Retention to Housing 8.8lbs [4.0Kg]

### SPECIFICATIONS:

- . Current rating: 7A AC, DC
- . Voltage rating: 250V AC, Maximum
- . Temperature range: -40°C ~ +105°C
- . Contact resistance: Initial Value/10mΩ max.  
After environmental testing /20mΩ max.
- . Insulation resistance: 1000 MΩ min
- . Withstand Voltage: 1500V AC/minute
- . Applicable wires: AWG #26 ~ #18

UNIT: INCH  
MM



### Ordering Information 7550 Series

Series No.	No. of Contacts	
7550	04P	- A
7550 Series	01P ~ 06P	RoHs

### Dimensional Information

Circuits	Dim.A± .008 0.20	Dim.B± .008 0.20	Circuits	Dim.A± .008 0.20	Dim.B± .008 0.20	Circuits	Dim.A± .008 0.20	Dim.B± .008 0.20
1	.236 6.00	—	2	.492 12.50	—	3	.689 17.50	.197 5.00

7550 Series  
\* FOR CIRCUIT SIZES 4 THROUGH 6 ADD .197" OR 5.0MM FOR EACH ADDITIONAL PIN.