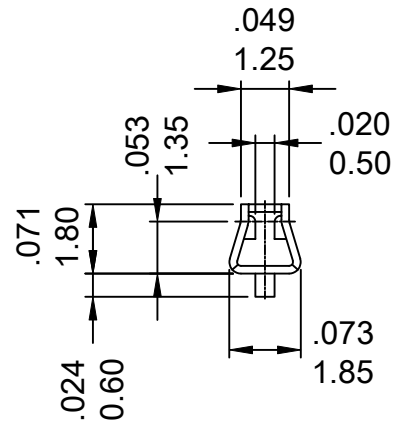
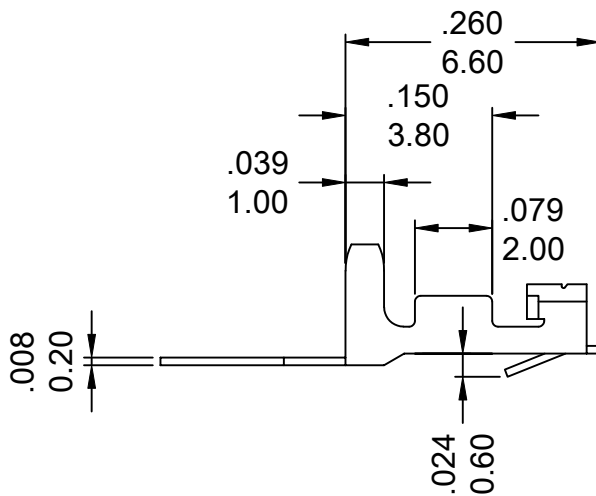
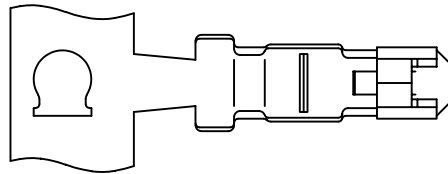


7010-T Series

FEATURES:

- . 7010-T Series Mates with VEN [7010] Series female connector
- . Accepts AWG 18-24 wire range
- . Material is Brass or Phos. Bronze
- . Qty/Reel: 8K PCS

UNIT: INCH
MM



Wire Gauge (AWG)	18	20	22	24
Pull Out Force (lb)	20	15	10	8

Ordering Information 7010-T Series

Series No.	Material	Contact Plating	
7010-T	BS	T	PB
7010-T Series	BS: Brass PS: Phos.Bronze	T: Tin S1: Gold Flash S5: 5u" Gold S10: 10u" Gold S15: 15u" Gold S30: 30u" Gold [S: Selective Gold]	RoHs