

.098" (2.50mm) Crimp Style Wire-To-Wire Connectors

6500 Series (Male)

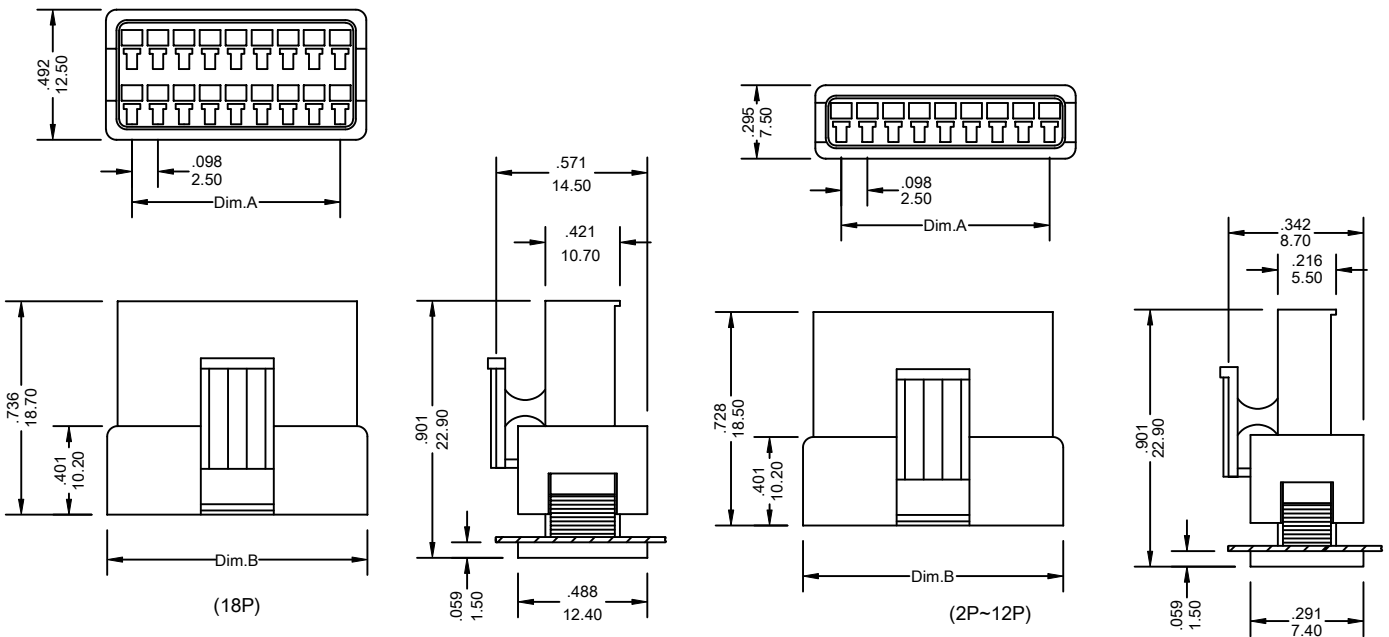
FEATURES:

- . Available in 2 through 12 and 18 circuits
- . Nylon 66 [UL 94V-0], Black
- . Mates with 6400 series crimp socket
- . Accepts 6500-T crimp terminal

SPECIFICATIONS:

- . Current rating: 3A AC, DC
- . Voltage rating: 250V AC, Maximum
- . Temperature range: -40°C ~ +105°C
- . Contact resistance: Initial Value/10mΩ max.
After environmental testing
/20mΩ max.
- . Insulation resistance: 5000 MΩ min
- . Withstand Voltage: 1000V AC/minute
- . Applicable Wire: AWG #22~#28

UNIT: INCH
MM



Ordering Information 6500 Series

Series No.	No. of Contacts	
6500	- 09P	- A
6500 Series	02P ~ 12P & 18P	RoHs

Dimensional Information

Circuits	Dim.A± .008 0.20	Dim.B± .008 0.20	Circuits	Dim.A± .008 0.20	Dim.B± .008 0.20	Circuits	Dim.A± .008 0.20	Dim.B± .008 0.20
2	.098 2.50	.217 5.50	3	.197 5.00	.315 8.00	18	.787 20.00	.906 23.00

* FOR CIRCUIT SIZES 4 THROUGH 12 ADD .098" OR 2.50MM FOR EACH ADDITIONAL PIN.