

## 5800-T Series

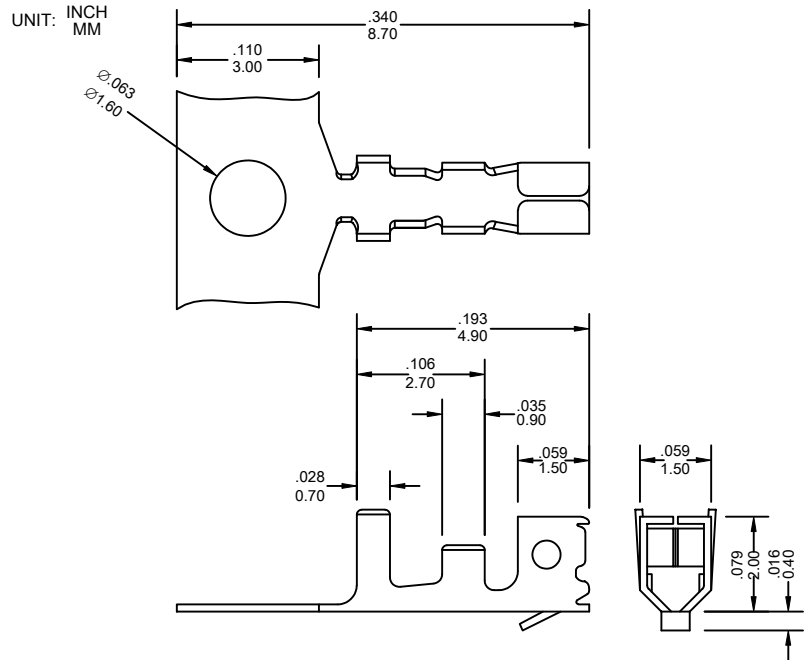
### FEATURES:

- . Wire range: AWG #24-#30
- . Insulation diameter:  $\varnothing 1.4\text{mm}$  max
- . Strip length: 1.6-2.1mm
- . Accepts housing: 5800
- . Qty/Reel: 11K PCS

Wire Gauge (AWG)	24	26	28	30
Pull Out Force (lb)	8	6	4	3

### Ordering Information

Series No.	Material	Contact Plating	
5800-T	PS	T	PB
5800-T Series	PS: Phos.Bronze BS: Brass	T: Tin S1: Gold Flash S5: 5u" Gold S10: 10u" Gold S15: 15u" Gold S30: 30u" Gold [S: Selective Gold]	RoHs



## 6000-T Series

### FEATURES:

- . 6000-T Series Mates with VEN [6000] Series female connector
- . Accepts AWG 22-30 wire range
- . Material is Brass or Phos. Bronze
- . Qty/Reel: 10K PCS

Wire Gauge (AWG)	22	24	26	28	30
Pull Out Force (lb)	10	8	6	4	3

### Ordering Information

Series No.	Material	Contact Plating	Option	
6000-T	BS	T	L	PB
6000-T Series	PS: Phos.Bronze BS: Brass	T: Tin S1: Gold Flash S5: 5u" Gold S10: 10u" Gold S15: 15u" Gold S30: 30u" Gold [S: Selective Gold]	L: Applicable 28-30 AWG	RoHs

UNIT: INCH  
MM

