

## .250" (6.35mm) Power Connector Header

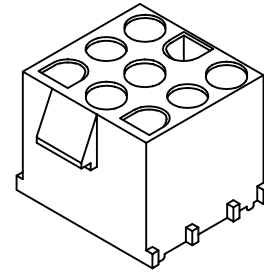
### 42000 Series

#### FEATURES:

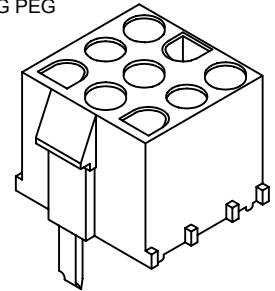
- . 2,3,4,6,9,12,15 Circuits
- . Positive Housing locks
- . Nylon, [UL 94V-2] or [UL 94V-0], Nature,[UL 94V-0],Brick Red
- . Intermateable, intermountable and interchangeable with industry-standard versions
- . Cross tested to assure industry compatibility
- . Fully isolated contacts
- . Contact material : Male is Brass, Female is Phos.Bronze
- . Mates with VEN [2130-M] series

#### SPECIFICATIONS:

- . Current rating: 13.5A AC. DC
- . Voltage rating: 600 V
- . Temperatur range: -55°C ~ +105°C
- . Insulation resistance: 1000 MΩ min
- . Withstand Voltage: 2900V AC/minute
- . Contact Resistance:3.5 MΩ max
- . Plating: Tin or Gold



A : WITHOUT POLARIZING PEG



A1 : WITH POLARIZING PEG

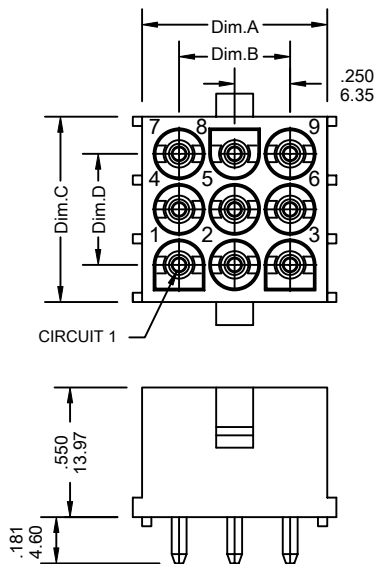


Male Terminal Type

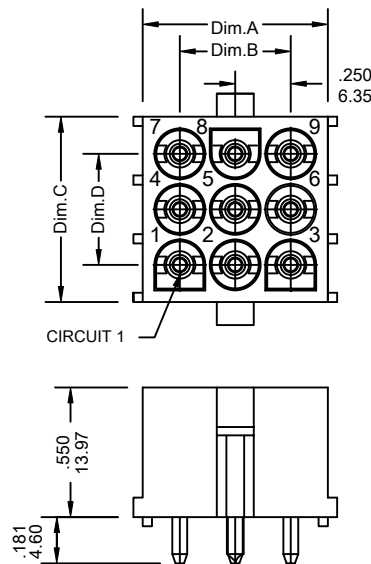


Female Terminal Type

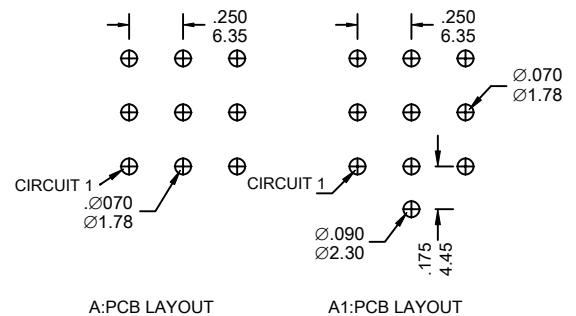
UNIT: INCH  
MM



A : WITHOUTH POLARIZING PEG



A1 : WITH POLARIZING PEG



A:PCB LAYOUT

A1:PCB LAYOUT

PCB LAYOUT:COMPONENT SIDE

RECOMMENDED PCB THICKNESS:  $.063 \pm .006$   
 $1.59 \pm 0.16$

### Ordering Information 42000 Series

Series No.	No. of Contacts	Terminals type	Contact plating	Contact type	Material	
42000	- 02P	M	T	- A	- V0	- PB
42000	02P 03P 04P 06P 09P 12P 15P	M:Male(Pin) F:Female(Scoket)	T: Tin G1: Gold	A: WITHOUT POLARIZING PEG A1: WITH POLARIZING PEG	V0: UL 94V-0,Nature V2: UL 94V-2,Nature RED: UL 94V-0, Brick Red	RoHs

### Dimensional Information

Circuits	2	3	4	6	9	12	15
Dim.A±	.008 0.20	.550 13.97	.800 20.32	1.050 26.67	.800 20.32	.800 20.32	.800 20.32
Dim.B±	.008 0.20	.250 6.35	.500 12.70	.750 19.05	.500 12.70	.500 12.70	.500 12.70
Dim.C±	.008 0.20	.300 7.62	.300 7.62	.300 7.62	.550 13.97	.800 20.32	1.050 26.67
Dim.D±	.008 0.20			.250 6.35	.500 12.70	.750 19.05	1.000 25.40