

.100" (2.54mm) Flexible P. C. B. Connector

3900 Series

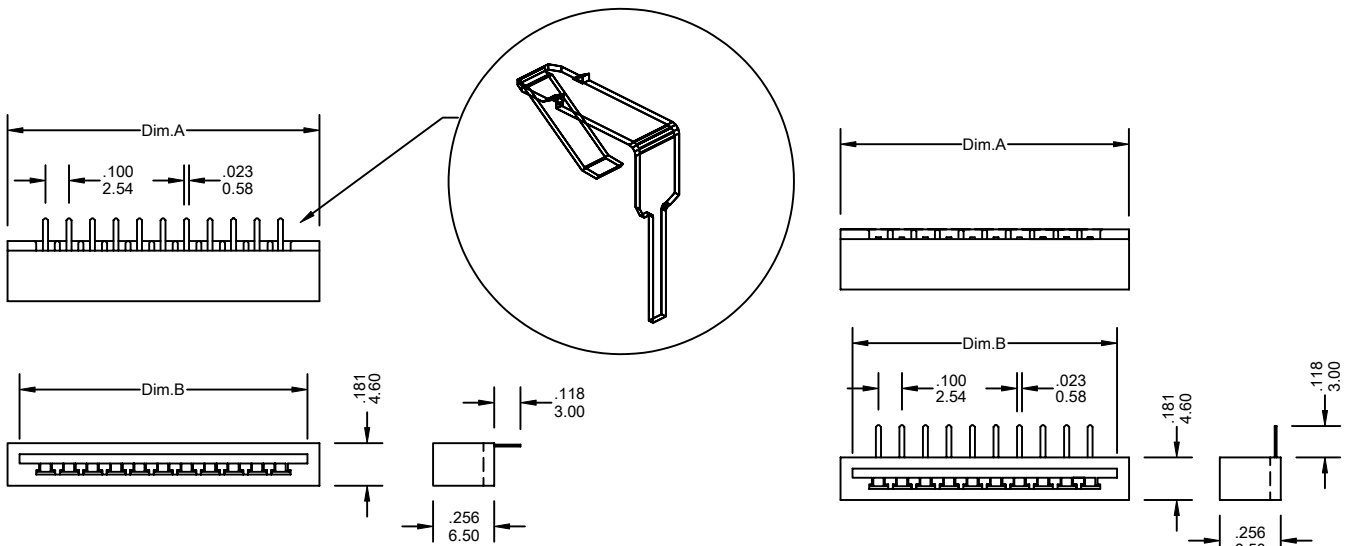
FEATURES:

- . 2-30 Circuits
- . PBT + 30% Glass Fiber [UL 94V-0]
- . Low insertion force
- . Flat flex cable connector for membrane switch application .100" [2.54mm]
- . Accepts conductors on either side of flex tail
- . Straight or right angle versions
- . Single beam contact, copper alloy, tin plated

SPECIFICATIONS:

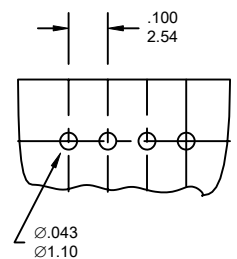
- . Current rating: 3A AC, DC
- . Voltage rating: 250V AC, Maximum
- . Temperature range: -40°C ~ +105°C
- . Contact resistance: Initial Value/10mΩ max.
After environmental testing /20mΩ max.
- . Insulation resistance: 5000 MΩ min
- . Withstand Voltage: 1500V AC/minute
- . Applicable FFCs: Pith/.100"[2.54]
: Thickness/.004"~
.015"[0.10mm~0.38mm]
- . Applicable PC board thickness: .063"[1.6mm]

UNIT: INCH
MM



Ordering Information 3900 Series

| Series No. | | No. of Contacts | Contact Type | Contact Plating | | |
|-------------|----------------------|-----------------|-------------------------------|--|--|------|
| 3900 | - DS | - 10P | S | T | - PB | |
| 3900 Series | Double Side Contacts | 02P ~ 30P | S: Straight R: Right Angle | T: Tin G1: Gold Flash G5: 5u" Gold G10: 10u" Gold G15: 15u" Gold G30: 30u" Gold [G: Full Gold] | S: Selective Gold S1: Gold Flash S5: 5u" Gold S10: 10u" Gold S15: 15u" Gold S30: 30u" Gold [S: Selective Gold] | RoHs |



Recommended P.C. Board Holes Layout for .100" [2.54mm]

Dimensional Information

| Circuits | Dim.A± .008 0.20 | Dim.B± .008 0.20 | Circuits | Dim.A± .008 0.20 | Dim.B± .008 0.20 | Circuits | Dim.A± .008 0.20 | Dim.B± .008 0.20 |
|----------|---------------------|---------------------|----------|---------------------|---------------------|----------|---------------------|---------------------|
| 2 | .421 10.70 | .303 7.70 | 3 | .521 13.24 | .403 10.24 | 4 | .621 15.78 | .503 12.78 |

* FOR CIRCUIT SIZES 5 THROUGH 30 ADD .100" OR 2.54MM FOR EACH ADDITIONAL PIN.