



.098" (2.50mm) Pitch Board-in Connectors

3700 Series

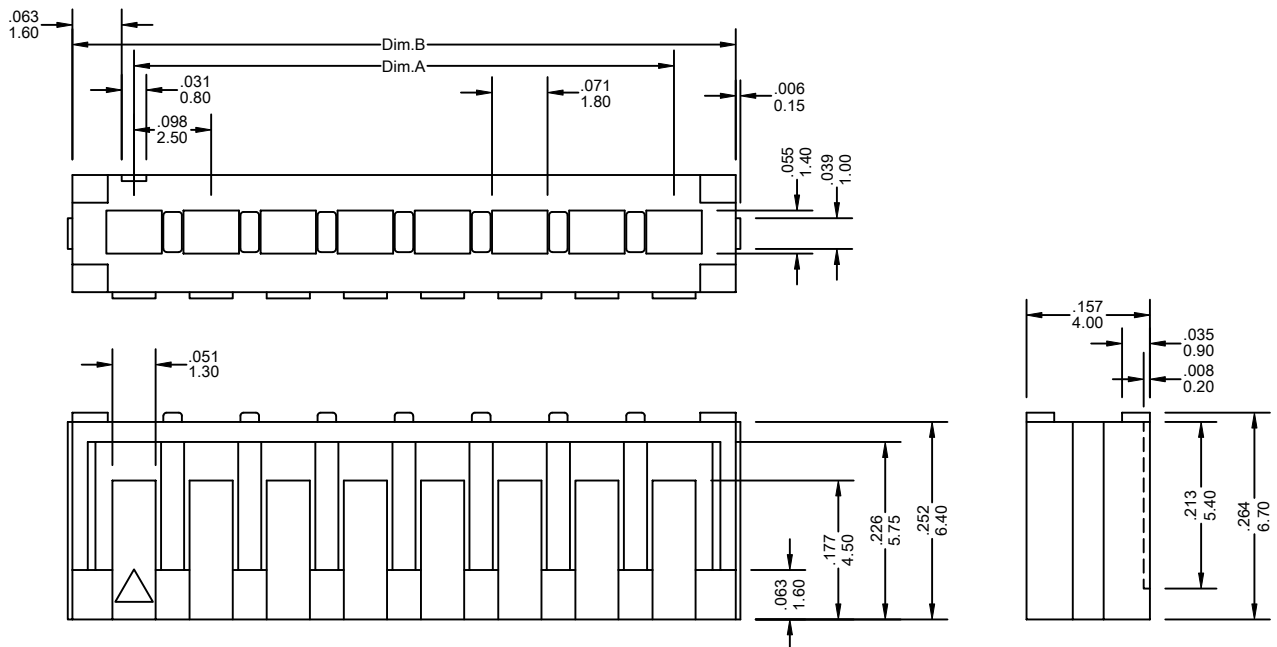
FEATURES:

- . 2-20 Circuits
- . Housing, [UL 94V-0 Nylon 66]
- . Accepts crimp terminal VEN[3700-T]

SPECIFICATIONS:

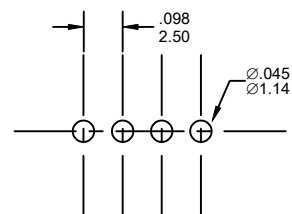
- . Current rating: 3A AC, DC
- . Voltage rating: 250V AC, Maximum
- . Temperature range: -25°C ~+ 85°C
- . Contact resistance: Initial Value/10mΩ max.
After environmental testing /20mΩ max.
- . Insulation resistance: 1000 MΩ min
- . Withstand Voltage: 800V AC/minute
- . Applicable PC board thickness: .063"[1.6mm]

UNIT: INCH
MM



Ordering Information 3700 Series

Series No.	No. of Contacts	
3700	- 08P - A	
3700 Series	02P ~ 20P	RoHs



Recommended P.C Board Hole

Dimensional Information

Circuits	Dim.A± .008 0.20	Dim.B± .008 0.20	Circuits	Dim.A± .008 0.20	Dim.B± .008 0.20	Circuits	Dim.A± .008 0.20	Dim.B± .008 0.20
2	.098 2.50	.256 6.50	3	.197 5.00	.354 9.00	4	.295 7.50	.453 11.50

* FOR CIRCUIT SIZES 5 THROUGH 20 ADD .098" OR 2.50MM FOR EACH ADDITIONAL PIN