

.100"X.100" (2.54mmX2.54mm) Center Fully Shrouded Header Assembly



3000 Series

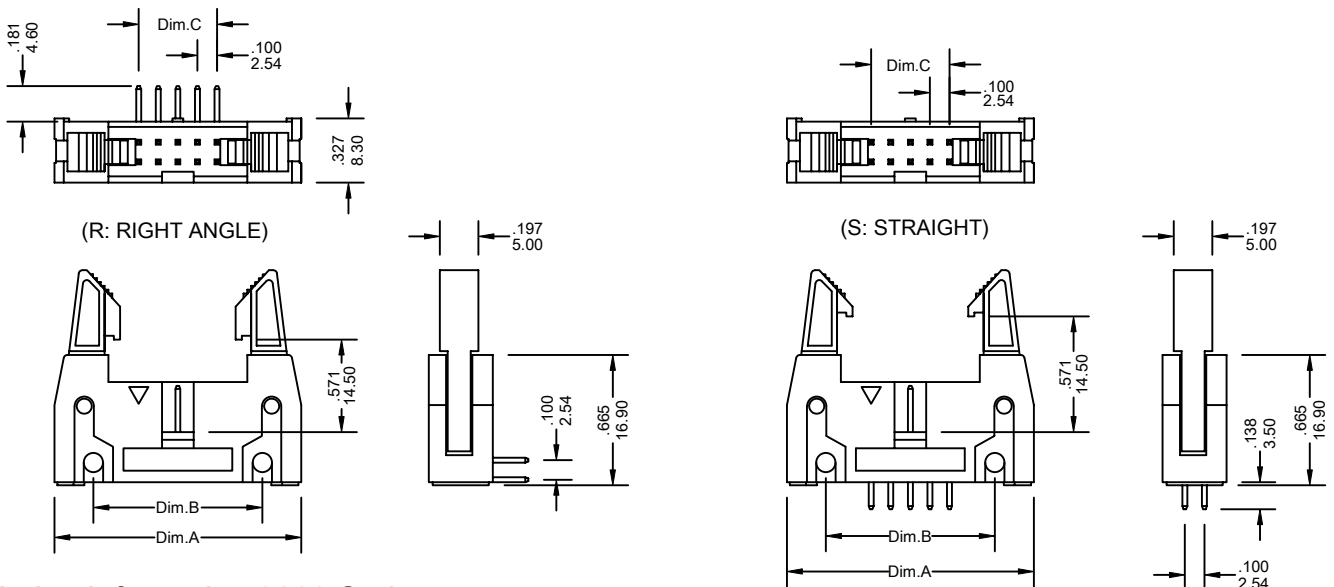
FEATURES:

- . 10-64 Circuits
- . PBT, [UL 94V-0]
- . Fully shrouded body provides maximum protection for contact pins
- . Snap on polarizing keys
- . Dip solder on wire wrap post tails
- . Available with long or short lock ejectors
- . Available with straight or right angle pins
- . Requires no special tooling
- . Latch/extractor

SPECIFICATIONS:

- . Current rating: 3A AC. DC
- . Voltage rating: 250V AC. Maximum
- . Temperature range: -40°C ~ +105°C
- . Contact resistance: Initial Value/10mΩ max.
After environmental testing /20mΩ max.
- . Insulation resistance: 5000 MΩ min
- . Withstand voltage: 1500V AC/minute
- . Applicable PC Board thickness: .063"[1.6mm]

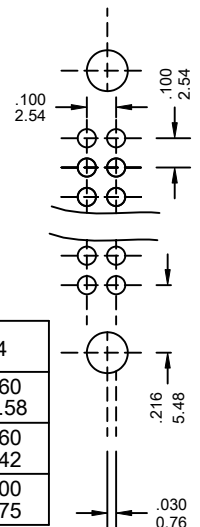
UNIT: INCH
MM



Ordering Information 3000 Series

Series No.	No. Of Contacts	Contact Type	Lock	Contact Plating	
3000	- 34P	S	A	T	- PB
3000 Series	10P 26P 50P 14P 30P 60P 16P 34P 64P 20P 40P	S: Straight R: Right Angle	A: Long Lock B: Short Lock C: Without Lock	T: Tin G1: Gold Flash G5: 5u" Gold G10: 10u" Gold G15: 15u" Gold G30: 30u" Gold [G: Full Gold]	RoHs

PC Side of Board



Dimensional Information

Dimension	Circuits											
	10	14	16	20	26	30	34	40	50	60	64	
Dim.A±	.010 0.25	1.260 32.00	1.460 37.08	1.560 39.62	1.760 44.70	2.060 52.32	2.260 57.40	2.460 62.48	2.760 70.10	3.260 82.80	3.760 95.50	3.960 100.58
Dim.B±	.010 0.25	.860 21.84	1.060 26.92	1.160 29.46	1.360 34.54	1.660 42.16	1.860 47.24	2.060 52.32	2.360 59.94	2.860 72.64	3.360 85.34	3.560 90.42
Dim.C±	.010 0.25	.400 10.17	.600 15.25	.700 17.79	.900 22.87	1.200 30.49	1.400 35.57	1.600 40.65	1.900 48.27	2.400 60.97	2.900 73.67	3.100 78.75