

# .100" (2.54mm) Center P.C. Board Connector

## 2803 Series

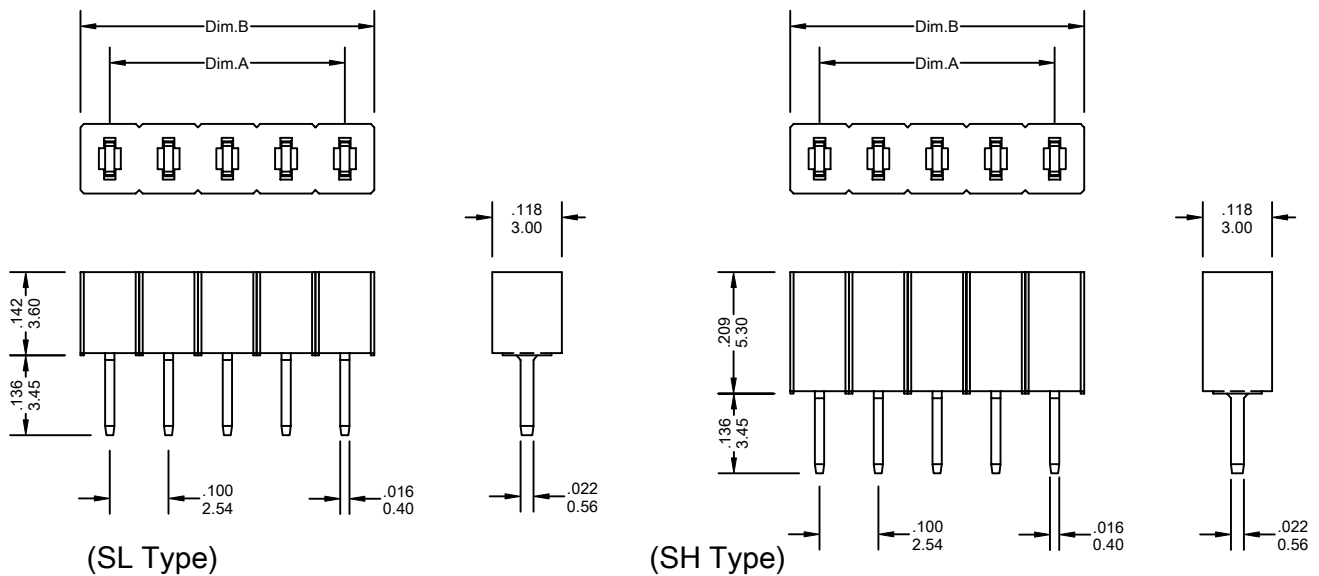
### FEATURES:

- . 2-40 Circuits
- . PBT + 30% Glass Fiber [UL 94V-0]
- . Designed for parallel and perpendicular board stacking, also for PCB-to-harness and PCB-to-chassis connections
- . Stackable end-to-end and side-to-side on .100"[2.54mm] grid
- . Mates with .025"[0.64mm] square pins
- . Mounted on a board right angle headers, and straight headers

### SPECIFICATIONS:

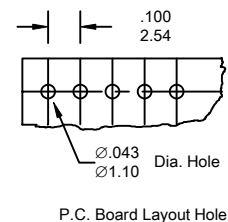
- . Current rating: 3A AC, DC
- . Voltage rating: 250V AC, Maximum
- . Temperature range: -40°C ~ +105°C
- . Contact resistance: Initial Value/10mΩ max. After environmental testing /20mΩ max.
- . Insulation resistance: 5000 MΩ min
- . Withstand voltage: 1500V AC/minute
- . Applicable PC board thickness: .063"[1.6mm]

UNIT: INCH  
MM



### Ordering Information 2803 Series

Series No.	No. of Contacts	Contact Type	Contact Plating	
2803	- 05P	SH	G1	- PB
2803 Series	02 ~ 40P	SH: Straight [5.30mm] SL: Straight [3.60mm]	T: Tin G1: Gold Flash G5: 5u" Gold G10: 10u" Gold G15: 15u" Gold G30: 30u" Gold [G: Full Gold]	RoHs



### Dimensional Information

Circuits	Dim.A± .008 0.20	Dim.B± .008 0.20	Circuits	Dim.A± .008 0.20	Dim.B± .008 0.20	Circuits	Dim.A± .008 0.20	Dim.B± .008 0.20
2	.100 2.54	.200 5.08	3	.200 5.08	.300 7.62	4	.300 7.62	.400 10.16

2803 Series

\* FOR CIRCUIT SIZES 5 THROUGH 40 ADD .100" OR 2.54MM FOR EACH ADDITIONAL PIN.