

.100" (2.54mm) X .310" (7.87mm) Single Row Right Angle PCB Connectors



2801-NA Series

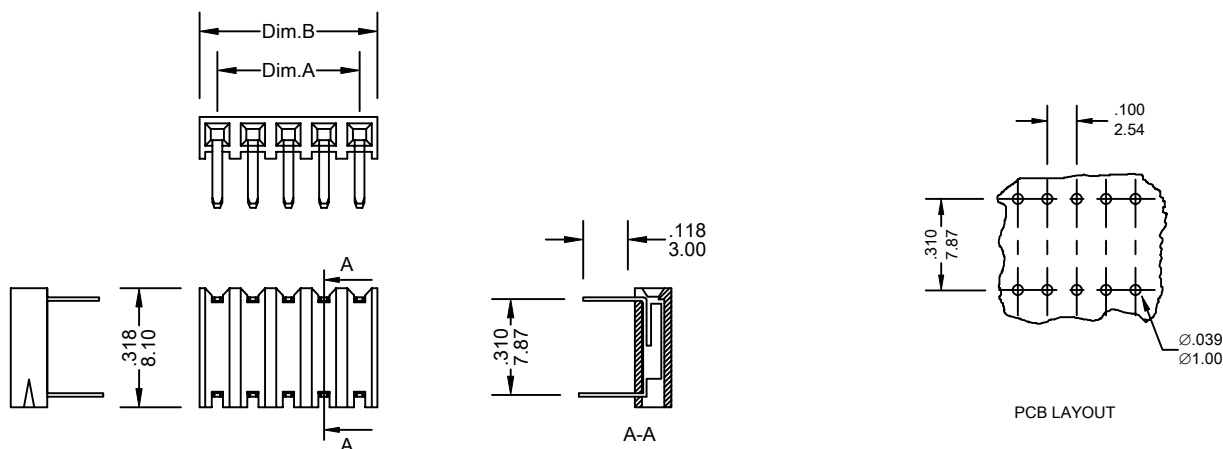
FEATURES:

- . 2-40 Circuits
- . PBT + 30% Glass Fiber [UL 94V-0]
- . Designed for parallel and perpendicular
- . Staggered mating depth to lower Initial insertion force
- . P.C. tails locked into housing
- . Back row of P.C. tails slightly to ease board loading
- . Mates with .100" grid male headers:
Single row, right angle and straight headers:
- . .025" square and round wire pins
- . Stackable end-to-end
- . Positive pin stop to prevent shorting between rows
- . Single beam box contact

SPECIFICATIONS:

- . Current rating: 3A AC, DC
- . Voltage rating: 250V AC, Maximum
- . Temperature range: -40°C ~ +105°C
- . Contact resistance: Initial Value/10mΩ max.
After environmental testing /20mΩ max.
- . Insulation resistance: 1000 MΩ min
- . Withstand voltage: 1500V AC/minute
- . Applicable PC board thickness: .063"[1.6mm]

UNIT: INCH
MM



Ordering Information 2801-NA Series

Series No.	No. of Contacts	Contact Type	Contact Plating	
2801-NA	- 08P	R	G1	- PB
2801-NA Series	02P ~ 40P	R: Right Angle	T: Tin G1: Gold Flash S5: 5u" Gold S10: 10u" Gold S15: 15u" Gold S30: 30u" Gold [G: Full Gold] [S: Selective Gold]	RoHs

Dimensional Information

Circuits	Dim.A± .008 0.20	Dim.B± .008 0.20	Circuits	Dim.A± .008 0.20	Dim.B± .008 0.20	Circuits	Dim.A± .008 0.20	Dim.B± .008 0.20
2	.100 2.54	.200 5.08	3	.200 5.08	.300 7.62	4	.300 7.62	.400 10.16

* FOR CIRCUIT SIZES 5 THROUGH 40 ADD .100" OR 2.54MM FOR EACH ADDITIONAL PIN.