

# .100" (2.54mm) Center Shunt (Mini Jumper)

## 2700 Series

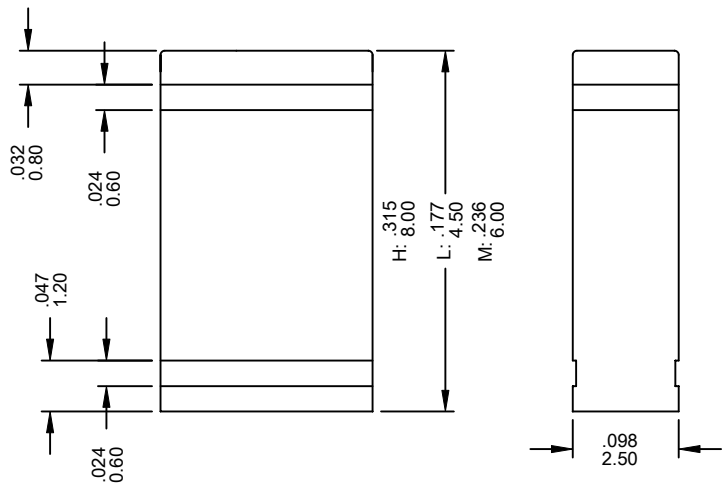
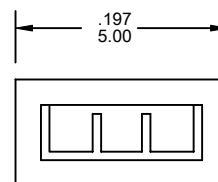
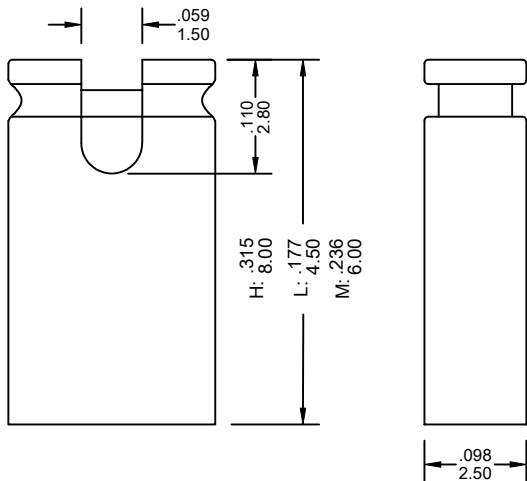
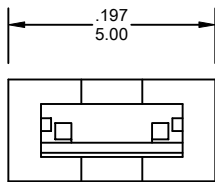
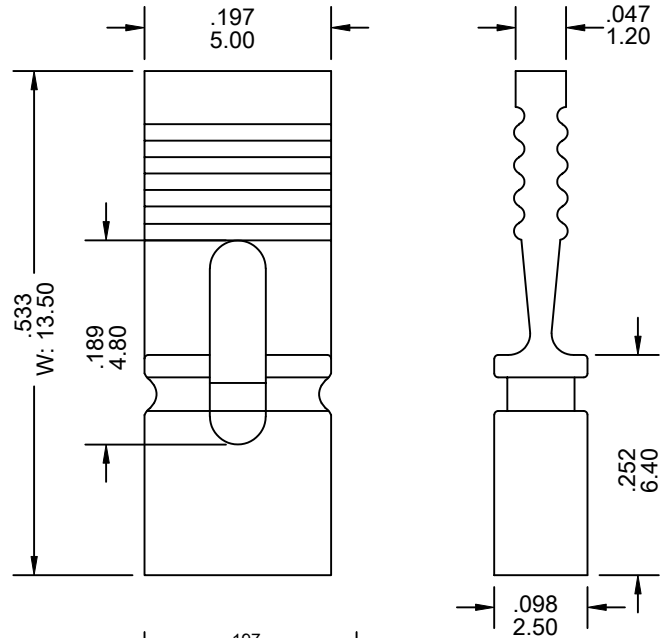
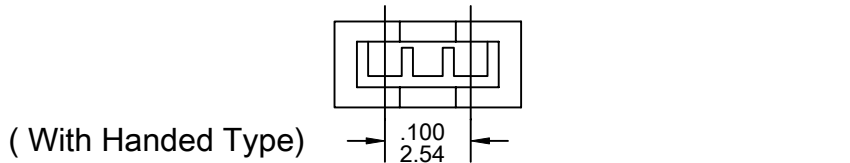
### FEATURES:

- . 2 Circuits
- . 2 Points of contact with each pins
- . Press fit-no soldering
- . Reliable-no accidental disconnects
- . Low cost alternative to DIP switches
- . Fully stackable
- . PBT + 30% Glass Fiber [UL 94V-0]
- . For .025"[0.64mm] square or round pins on
- .100"[2.54mm] spacing
- . Available in open and closed top versions

### SPECIFICATIONS:

- . Current rating: 3A AC, DC
- . Voltage rating: 250V AC, Maximum
- . Temperature range: -40°C ~ +105°C .
- . Contact resistance: Initial Value/10mΩ max.  
After environmental testing /20mΩ max.
- . Insulation resistance: 1000 MΩ min
- . Withstand voltage: 1500V AC/minute

UNIT: INCH  
MM



### Ordering Information 2700 Series

Series No.	No. of Contacts	Size	Plastic Type	Contact Plating	
2700	- 02P	H	A	G1	- PB
2700 Series	02P	H: 8.0mm L: 4.5mm M: 6.0mm W: 13.50mm (With Handed)	A: Open Cover B: Closed Cover	T: Tin G1: Gold Flash G5: 5u" Gold G10: 10u" Gold G15: 15u" Gold G30: 30u" Gold [G: Full Gold]	RoHs