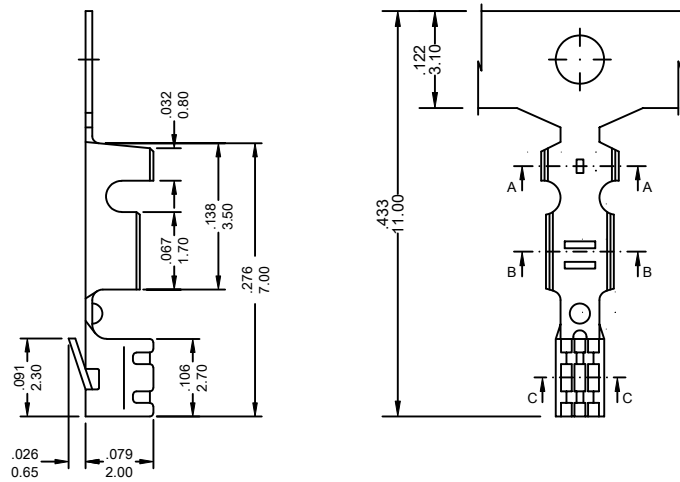


2564-T Series

FEATURES:

- . Very low profile
- . Material: Pre-tinned phosphor bronze
- . Used in 2564 housing
- . Anti-fishhooking design
- . Box protects pin contact area from contamination during handling
- . Wire range AWG #22~#28
- . Insulation diameter $\varnothing 1.9\text{mm}$ (.075") max
- . Qty/Reel: 10K PCS

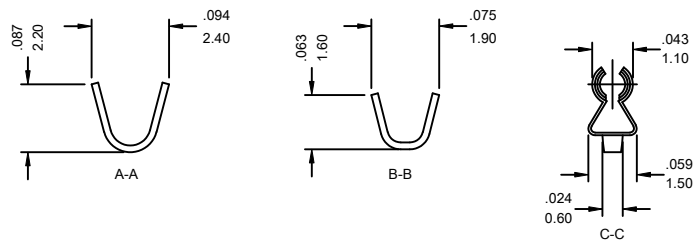
UNIT: INCH
MM



Wire Gauge (AWG)	22	24	26	28
Pull Out Force (lb)	10	8	6	4

Ordering Information 2564-TBS-T Series

Series No.	Material	Contact Plating	
2564-T	BS	T	PB
2564-T Series	BS: Brass PS: Phos.Bronze	T: Tin S1: Gold Flash S5: 5u" Gold S10: 10u" Gold S15: 15u" Gold S30: 30u" Gold [S: Selective Gold]	RoHs

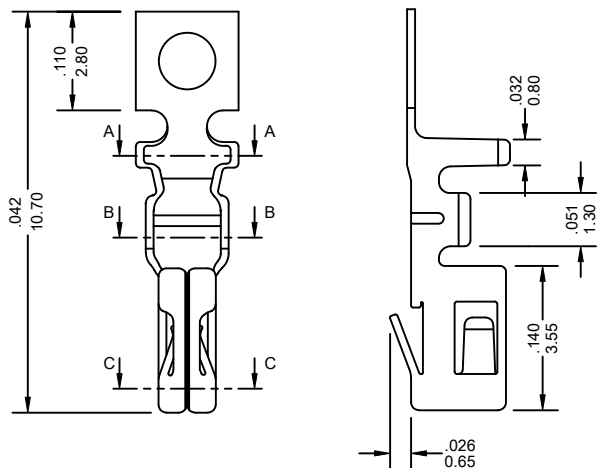


2560-T Series

FEATURES:

- . 2560-T Series Mates with VEN [2560] Series female connector
- . Accepts AWG 22-30 wire range
- . Material is Brass or Phos. Bronze
- . Qty/Reel: 8K PCS

UNIT: INCH
MM



Wire Gauge (AWG)	22	24	26	28	30
Pull Out Force (lb)	10	8	6	4	3

Ordering Information

Series No.	Material	Contact Plating	
2560-T	BS	T	PB
2560-T Series	BS: Brass PS: Phos.Bronze	T: Tin S1: Gold Flash S5: 5u" Gold S10: 10u" Gold S15: 15u" Gold S30: 30u" Gold [S: Selective Gold]	RoHs

