

.100" (2.54mm) Pitch DIN 41612 Connector

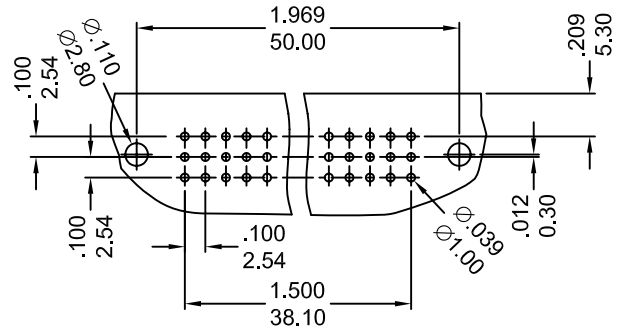
25053 Series
Female, Style C/2 press fit and solder type

FEATURES:

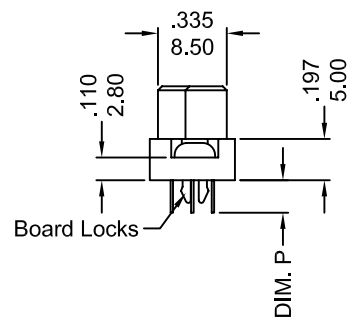
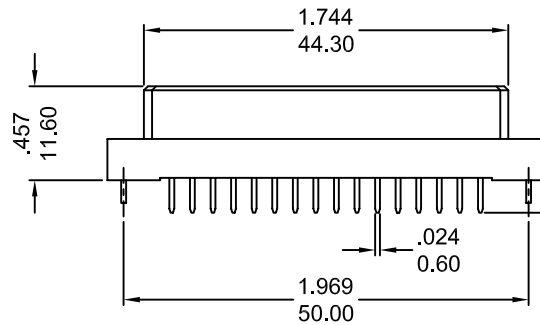
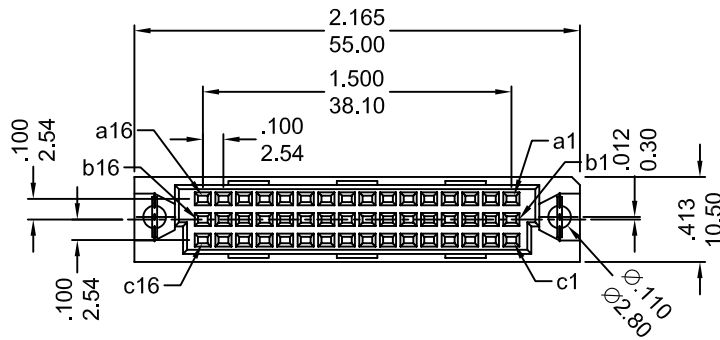
- . 48 Circuits
- . Housing: PBT+30% Glass Filled UL 94V-0
- . Contact: Phosphor Bronze
- . Contact Plating: Gold Plating

SPECIFICATIONS:

- . Current rating: 2A
- . Temperatur range: -55°C ~+ 125°C
- . Contact resistance: 20mΩ max.
- . Mating Force: .93N max. per pin
- . Press-fit for 1.6mm (.062") or 3.4mm (.134")
- PCB savailable



UNIT: INCH
MM
Recommended P.C Board
Hole Layout



Ordering Information 25053 Series Press Fit and Solder Dip

| Series No. | Circuits | Contact Loading Rows | DIP Stype Dimension P | Board Locks | Machine Test Conditions | |
|--------------|----------|---|---|---------------|-------------------------|------|
| 25053 | - 48F | 2 | 1 | 2 | 3 | - PB |
| 25053 Series | 48F | 0: Full a 1: Full a,c 2: Full a,b,c | 0: Solder 2.5mm 1: Press fit 4.6mm 2: Solder 4.0mm 3: Wire wrap 13mm 4: Wire wrap 17mm 5: Press fit 13mm 6: Press fit 17mm 7: Wire wrap 15mm 8: Wire wrap 5mm 9: Press fit 15mm A: Press fit 14mm | 1:Yes 2:No | 2:>400 3:>50 | RoHs |