

.100" (2.54mm) Pitch DIN 41612 Connector

25042 Series

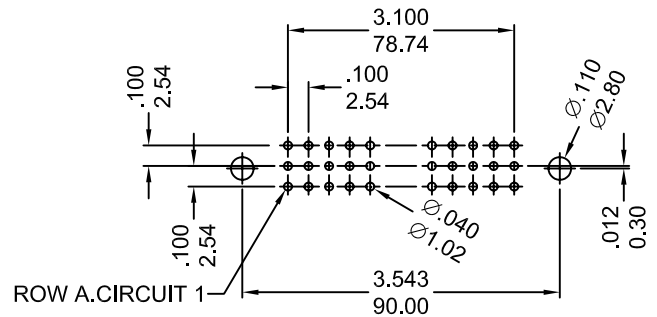
Male, Style R press fit and solder type

FEATURES:

- . 96 Circuits
- . Housing: PBT+30% Glass Filled UL 94V-0
- . Contact: Brass, Press Fit Phosphor Bronze
- . Contact Plating: Gold Plating

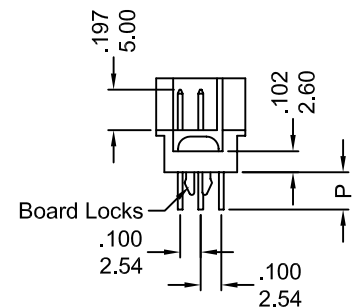
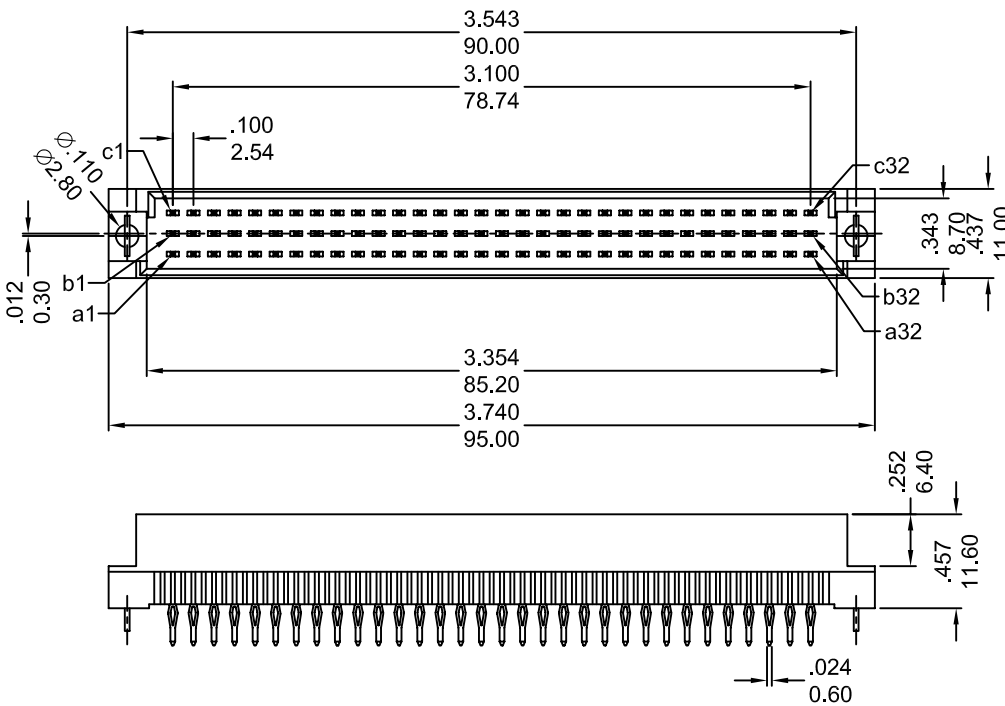
SPECIFICATIONS:

- . Current rating: 2A
- . Temperatur range: -55°C ~+ 125°C
- . Contact resistance: 20mΩ max.
- . Mating Force: .93N max. per pin
- . Press-fit for 1.6mm (.062") or 3.4mm (.134")
- PCB savailable



UNIT: INCH
MM

Recommended P.C Board
Hole Layout



Ordering Information 25042 Series Press Fit and Solder Dip

Series No.	Circuits	Contact Loading Rows	DIP Style Dimension P	Board Locks	Machine Test Conditions	
25042	- 96M	2	1	2	3	- PB
25042 Series	96M	0: Full a 1: Full a,c 2: Full a,b,c	0: Solder 2.5mm 1: Press fit 4.6mm 2: Solder 4.0mm 3: Wire wrap 13mm 4: Wire wrap 17mm 5: Press fit 13mm 6: Press fit 17mm 7: Wire wrap 15mm 8: Wire wrap 5mm 9: Press fit 15mm A: Press fit 14mm	1: Yes 2: No	2: >400 3: >50	RoHs