

.100" (2.54mm) Pitch DIN 41612 Connector

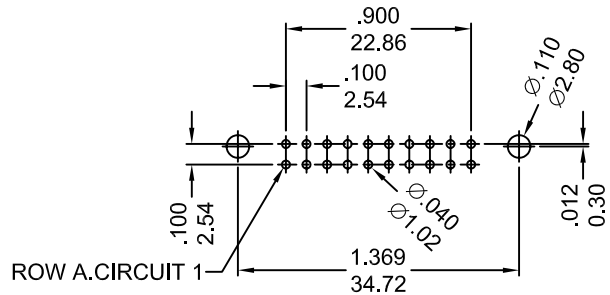
25040 Series
Male, Style Q/3 press fit and solder type

FEATURES:

- . 20 Circuits
- . Housing: PBT+30% Glass Filled UL 94V-0
- . Contact: Brass, Press Fit Phosphor Bronze
- . Contact Plating: Gold Plating

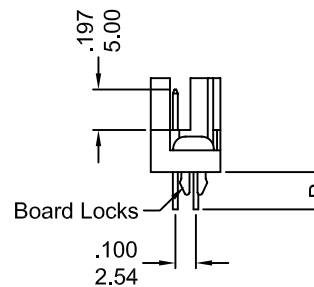
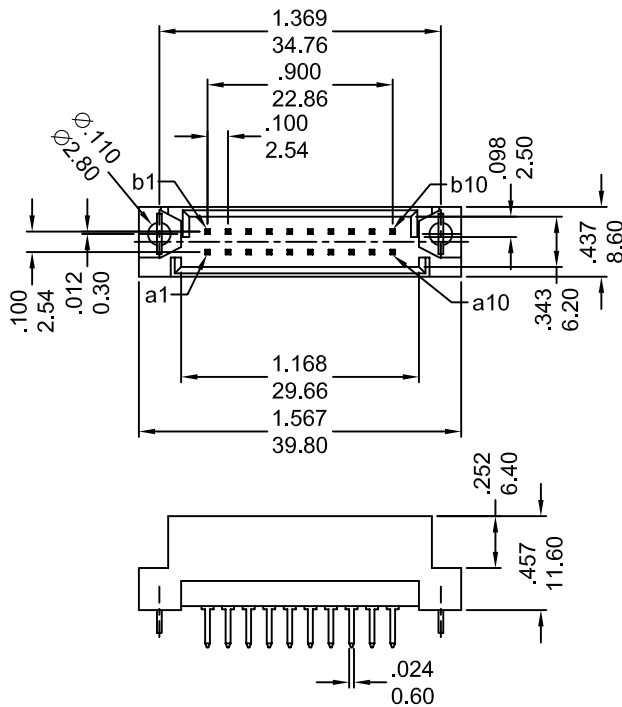
SPECIFICATIONS:

- . Current rating: 2A
- . Temperatur range: -55°C ~+ 125°C
- . Contact resistance: 20mΩ max.
- . Mating Force: .93N max. per pin
- . Press-fit for 1.6mm (.062") or 3.4mm (.134")
- PCB savailable



UNIT: INCH
MM

Recommended P.C Board
Hole Layout



Ordering Information 25040 Series Press Fit and Solder Dip

Series No.	Circuits	Contact Loading Rows	DIP Stype Dimension P	Board Locks	Machine Test Conditions	
25040	- 20M	1	1	2	3	- PB
25040 Series	20M	0:Full a 1:Full a,b	0: Solder 2.5mm 1: Press fit 4.6mm 2: Solder 4.0mm 3: Wire wrap 13mm 4: Wire wrap 17mm 5: Press fit 13mm 6: Press fit 17mm 7: Wire wrap 15mm 8: Wire wrap 5mm 9: Press fit 15mm A: Press fit 14mm	1:Yes 2:No	2:>400 3:>50	RoHs