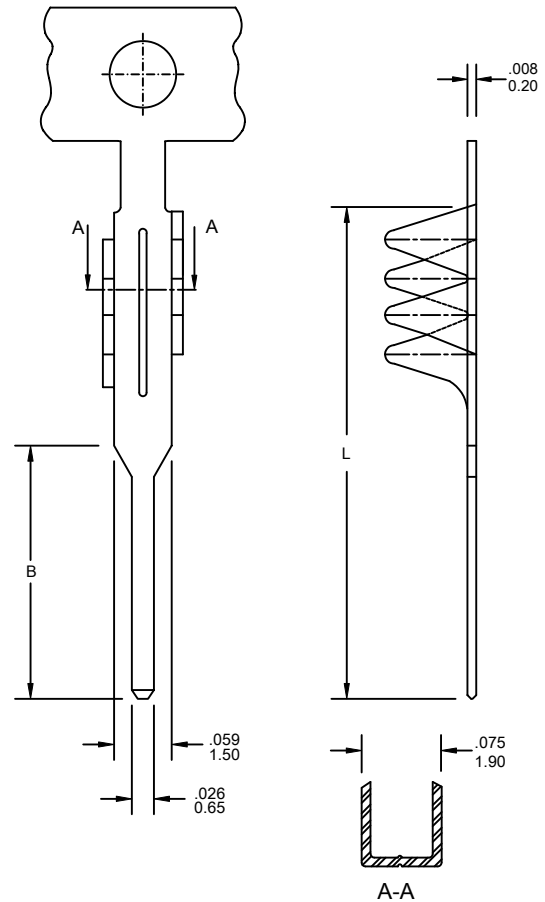


2492-FB-TDL-T Series

2492-FB-TDM-T Series

- FEATURES:**
- . DIP TYPE, Applicable pc board
 - . Accepts 2.54mm pitch Flexible Flat Cable
 - . Material is Phos. Bronze
 - . Qty/Reel: 20K PCS
 - . thickness: .063" [1.6mm]

UNIT: INCH
MM



SERIES	2492-FB-TDL-T	2492-FB-TDM-T
B	5mm	4mm
L	10.7mm	9.7mm

Ordering Information

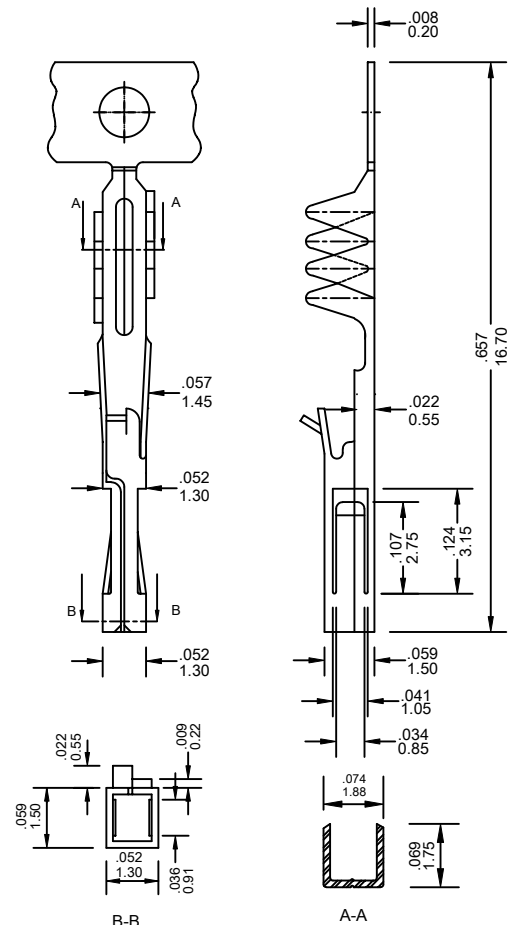
Series No.	Material	B	Contact Plating	
2492-FB-TDL	- TPS	- 5MM	- T	- PB
2492-FB-TDM	- TPS	- 4MM	- T	- PB
2492-FB-TDL Series 2492-FB-TDM Series	TPS: Phos. Bronze		T: Tin	RoHs

2492-FB-TF Series

FEATURES:

- . 2492-FB-TF Series Mates with VEN [2492-FB] Series female connector
- . Accepts 2.54mm pitch Flexible Flat Cable
- . Material is Phos. Bronze
- . Qty/Reel: 15K PCS

UNIT: INCH
MM



Ordering Information

Series No.	Material	Contact Plating	
2492-FB-TF	- TPS	- T	- PB
2492-FB-TF Series	TPS: Phos. Bronze	T: Tin S1: Gold Flash S5: 5u" Gold S10: 10u" Gold S15: 15u" Gold S30: 30u" Gold [S: Selective Gold]	RoHs