

.200" (5.08mm) Center Crimp Terminal Housing

2430 Series (FEMALE)

2440 Series (MALE)

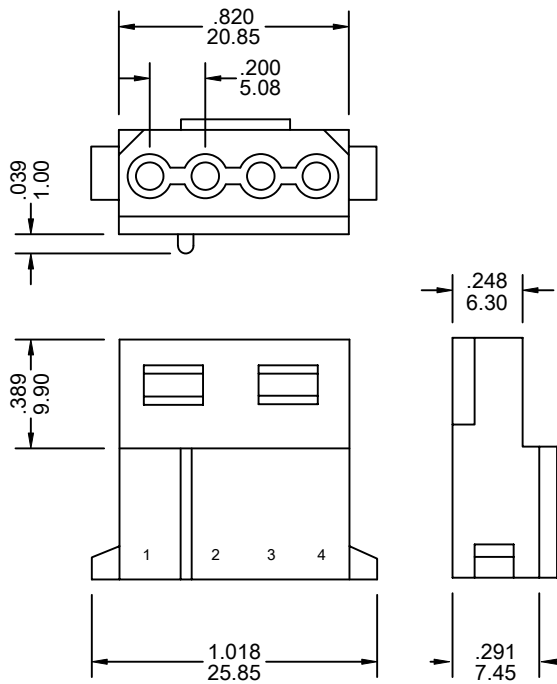
FEATURES:

- . 4 Circuits
- . 2430 Series accepts cantilever crimp terminal [2430-T]
- . 2440 Series accepts cantilever crimp terminal [2440-T]
- . Housing Nylon [UL 94V-2] or [UL 94V-0]
- . 2430 Series mates with .084" [2.13mm] crimp terminal housing [2440 or 2470]
- . 2440 Series mates with .084" [2.13mm] crimp terminal housing [2430 or 2470-F]
- . Terminal retention to housing - 8lbs. [3.63kg] minimum

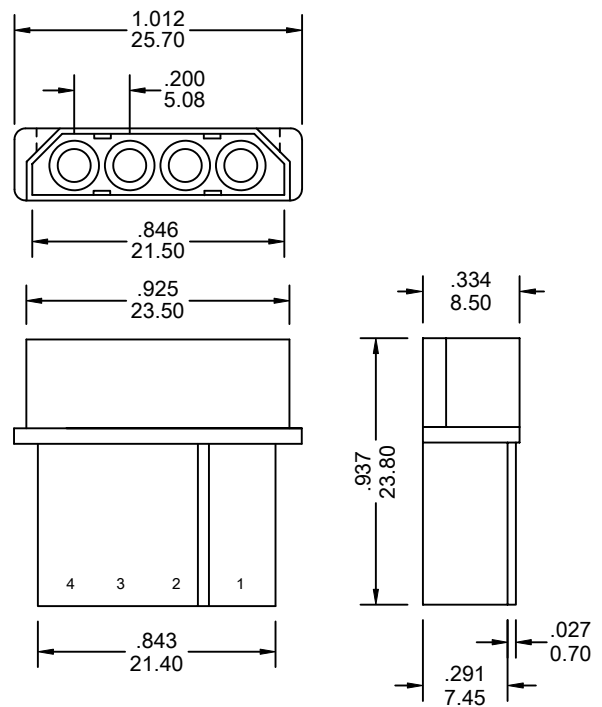
SPECIFICATIONS:

- . Current rating: 7A AC, DC
- . Voltage rating: 250V AC, Maximum
- . Temperature range: -40°C ~ +105°C AC
- . Contact resistance: Initial Value/10mΩ max.
After environmental testing /20mΩ max.
- . Insulation resistance: 5000 MΩ min
- . Withstand voltage: 1500V AC/minute
- . Applicable wires: AWG#22~#18

UNIT: INCH
MM



(2430 Series) Female



(2440 Series) Male

Ordering Information 2430 Series

Series No.	No. of Contacts	Material	
2430	- 04P	- V0	- A
2430 Series	04P	V0: UL 94V-0, Nylon V2: UL 94V-2, Nylon	RoHs

Ordering Information 2440 Series

Series No.	No. of Contacts	Material	
2440	- 04P	- V0	- A
2440 Series	04P	V0: UL 94V-0, Nylon V2: UL 94V-2, Nylon	RoHs