



.079"X.079" (2.00mmX2.00mm) IDC Socket Connector

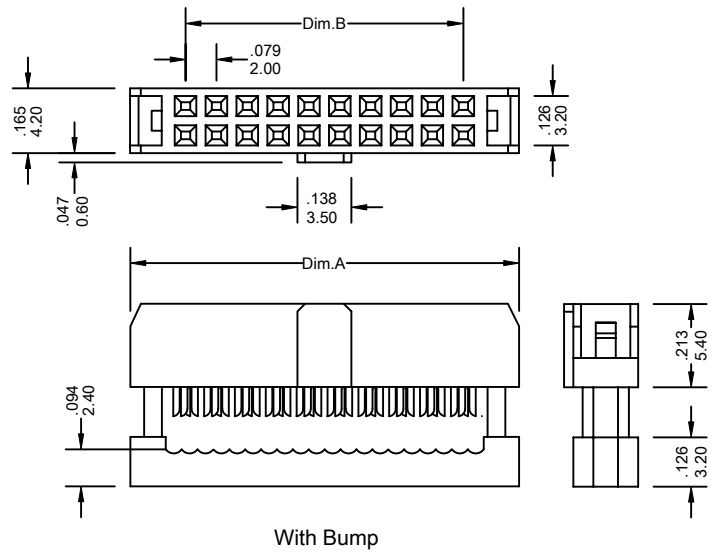
2001 Series

FEATURES:

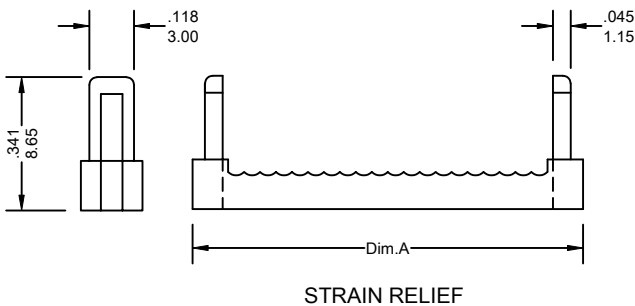
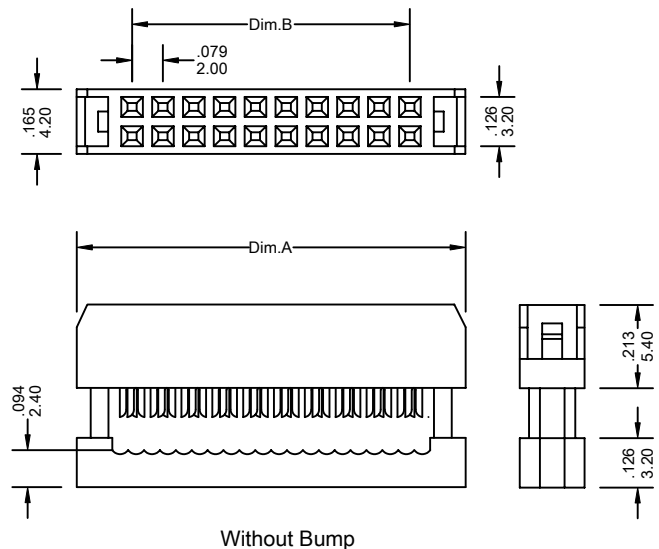
- . 6-68 Circuits
- . PBT, [UL 94V-0]
- . Compatible with standard male header
- . Rebbed cover for positive cable location
- . Grooved cable positing
- . Utilizes double-wipdebox contact
- . Gent key polarizing
- . Contact recess in cover

SPECIFICATIONS:

- . Current rating: 2A AC, DC
- . Voltage rating: 250V AC, Maximum
- . Temperature range: -40°C ~ +105°C .
- . Contact resistance: Initial Value/10mΩ max.
After environmental testing /15mΩ max.
- . Insulation resistance: 5000 MΩ min
- . Withstand voltage: 1500V AC/minute
- . Applicable wires: AWG 28, 7 strands
.039"[1.00mm] pitch flat cable



UNIT: INCH
MM



STRAIN RELIEF

Without Bump

Ordering Information 2001 Series

Series No.	No. of Contacts	Strain Relief	Bump	Contact Plating	
2001	- 34P	Y	A	S1	- PB
2001 Series	06P 20P 36P 08P 22P 40P 10P 24P 44P 12P 26P 50P 14P 28P 60P 16P 30P 68P 18P 34P	Y: Yes N: None	A: With B: Without	S: Selective Gold S1: Gold Flash S5: 5u" Gold S10: 10u" Gold S15: 15u" Gold S30: 30u" Gold	RoHs

Dimensional Information

Circuits	Dim.A± .008 0.20	Dim.B± .008 0.20	Circuits	Dim.A± .008 0.20	Dim.B± .008 0.20	Circuits	Dim.A± .008 0.20	Dim.B± .008 0.20	Circuits	Dim.A± .008 0.20	Dim.B± .008 0.20
06	.437 11.10	.157 4.00	16	.831 21.10	.551 14.00	26	1.224 31.10	.945 24.00	40	1.776 45.10	1.496 38.00
08	.516 13.10	.236 6.00	18	.909 23.10	.630 16.00	28	1.303 33.10	1.024 26.00	44	1.933 49.10	1.653 42.00
10	.594 15.10	.315 8.00	20	.988 25.10	.709 18.00	30	1.382 35.10	1.102 28.00	50	2.169 55.10	1.890 48.00
12	.673 17.10	.394 10.00	22	1.067 27.10	.787 20.00	34	1.539 39.10	1.260 32.00	60	2.563 65.10	2.283 58.00
14	.752 19.10	.472 12.00	24	1.146 29.10	.866 22.00	36	1.618 41.10	1.339 34.00	68	2.878 73.10	2.598 66.00