

.062" (1.58mm) Power Connector (Plug)

1581-M Series
1581-MA Series (Ear)

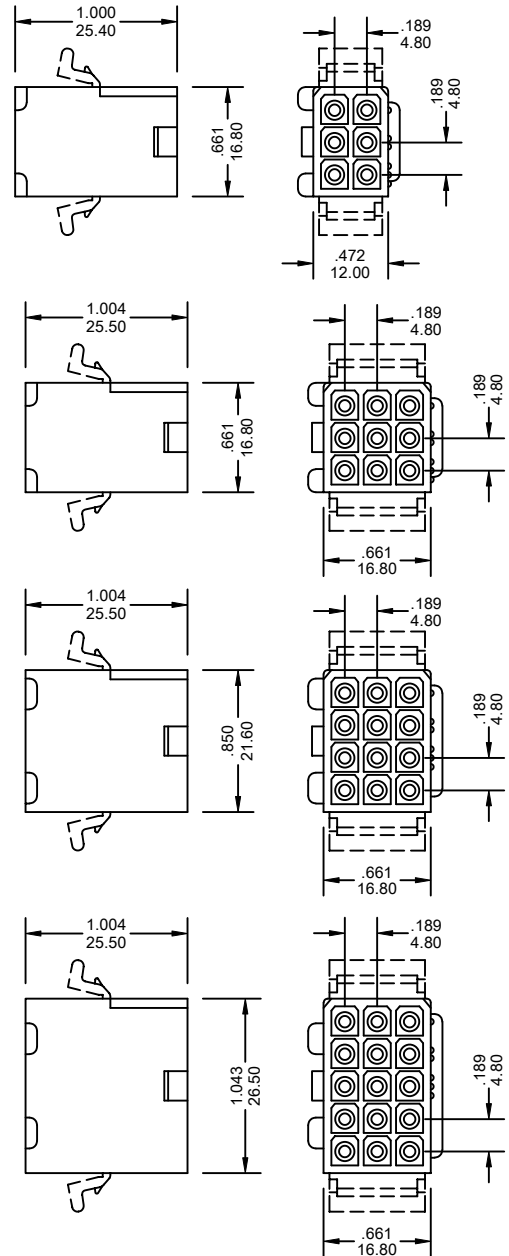
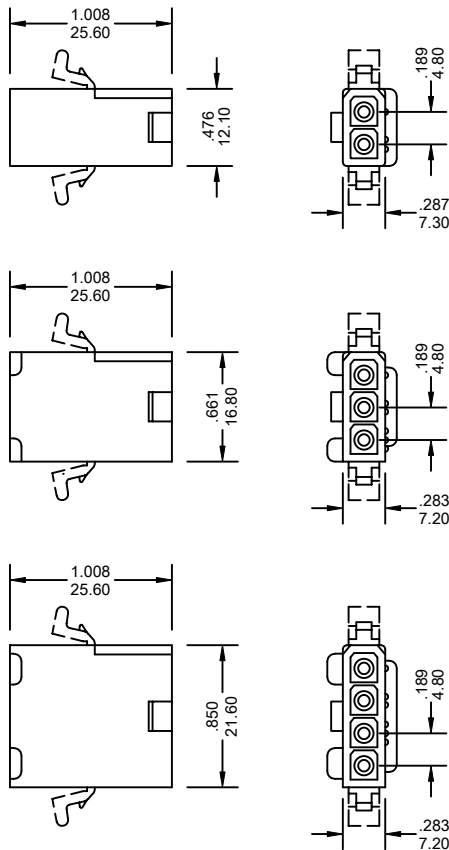
FEATURES:

- . 2,3,4,6,9,12 and 15 Circuits
- . Fully isolated terminals
- . UL 94V-2 material - natural color
- . Accept VEN .062" (1.58mm) diameter terminal [1580-TM-TBS-T]
- . Integrally molded mounting ears available on plug only
- . Positive lock

SPECIFICATIONS:

- . Current rating: 5A AC, DC
- . Voltage rating: 250 (RMS)
- . Temperature range: -40°C ~ +125°C
- . Contact resistance: Initial Value/10mΩ max.
After environmental testing
/20mΩ max.
- . Insulation resistance: 5000 MΩ min
- . Withstand voltage: 1500V AC/minute
- . Applicable wires: AWG #26 ~ #18

UNIT: INCH
MM



Ordering Information 1581-M, 1581-MA Series

Series No.	No. of Contacts	Housing Type	Material	
1581	04P	M	V2	A
1581 Series	02P 06P 15P 03P 09P 04P 12P	M: Male MA: Male / Ear	V2: UL 94V-2, Nature	RoHs