

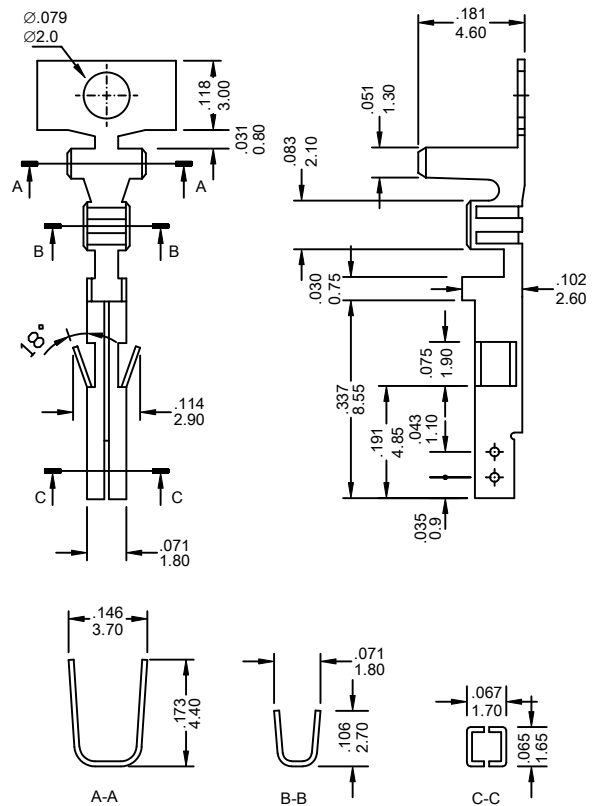


15557-T Series

FEATURES:

- . Mates with VEN [15557] Series Female connector
- . Accepts AWG 16-26 wire range
- . Material is Brass or Phos.Bronze
- . Qty/Reel: 5K PCS

UNIT: INCH
MM



Wire Gauge (AWG)	16	18	20	22	24	26
Pull Out Force (lb)	30	20	15	12	8	6

Ordering Information 15557-T Series

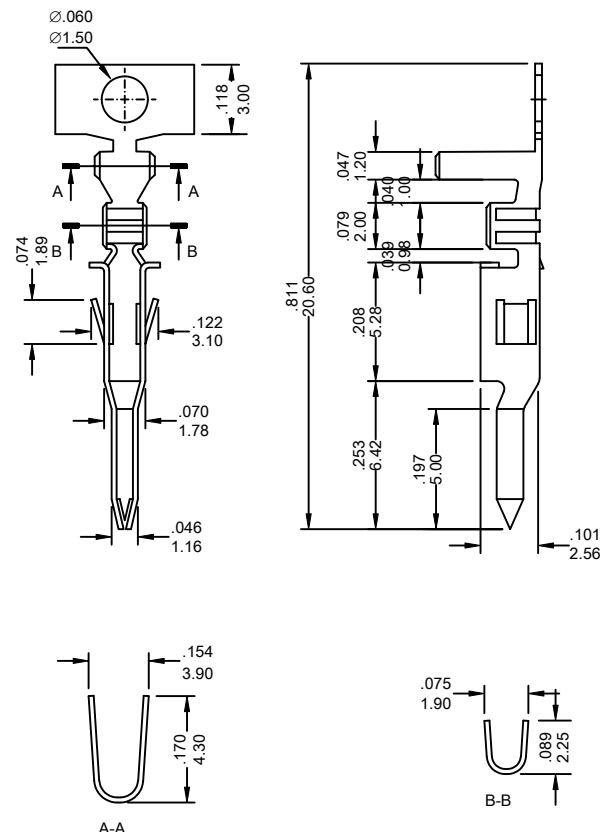
Series No.	Material	Contact Plating	
15557-TL	TBS	T	PB
15557-TH	TBS: Brass TPS: Phos.Bronze	T: Tin S1: Gold Flash S5: 5u" Gold S10: 10u" Gold S15: 15u" Gold S30: 30u" Gold [S: Selective Gold]	RoHs
15557-TL: (22-26) AWG 15557-TH: (16-20) AWG			

15559-T Series

FEATURES:

- . Mates with VEN [15559] Series Female connector
- . Accepts AWG 16-26 wire range
- . Material is Brass or Phos.Bronze
- . Qty/Reel: 5K PCS

UNIT: INCH
MM



Wire Gauge (AWG)	16	18	20	22	24	26
Pull Out Force (lb)	30	20	15	12	8	6

Ordering Information 15559-T Series

Series No.	Material	Contact Plating	
15559-TL	TBS	T	PB
15559-TH	TBS: Brass TPS: Phos.Bronze	T: Tin S1: Gold Flash S5: 5u" Gold S10: 10u" Gold S15: 15u" Gold S30: 30u" Gold [S: Selective Gold]	RoHs
15559-TL: (22-26) AWG 15559-TH: (16-20) AWG			