

.165" (4.20mm) Header

14068 Series

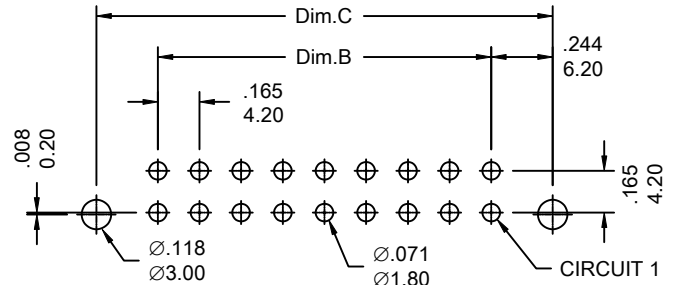
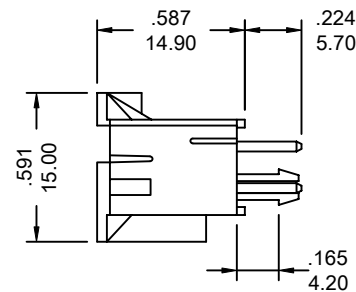
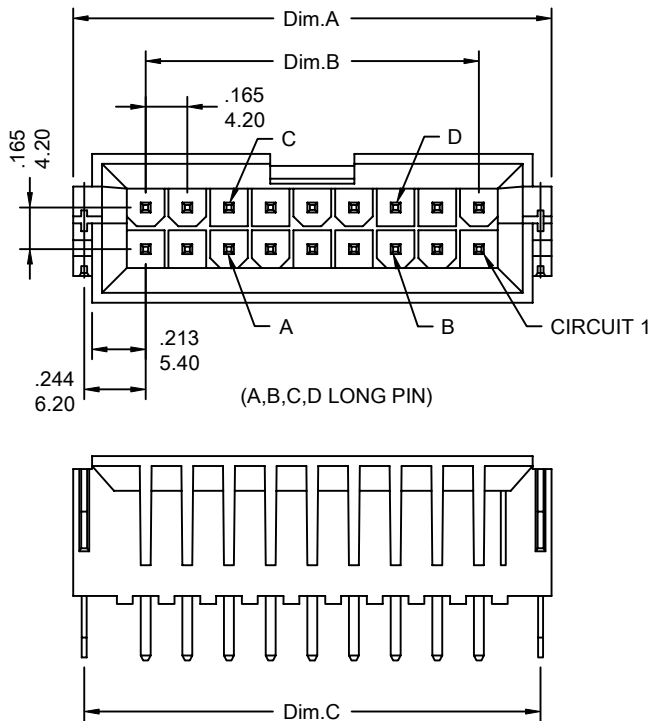
FEATURES:

- . 4-24 Circuits
- . Nylon46 , [UL 94V-0]
- . Plating: Tin , select Gold
- . Contact: Brass or Phosphor Bronze
- . Positive housing locks to mate with VEN 15557 series
- . Fully isolated terminals to protect contacts from damage
- . Mini-Fit BMI connectors have the capability of being selectively loaded with longer pins for grounding

SPECIFICATIONS:

- . Current rating: 9A AC, DC
- . Voltage rating: 600V AC, Maximum
- . Temperature range: -40°C ~ +105°C
- . Contact resistance: Initial Value/10mΩ max.
- . Insulation resistance: 1000 MΩ min
- . Withstand Voltage: 1500V AC/minute

UNIT: INCH
MM



PCB LAYOUT COMPONENT SIDE
RECOMMENDED PCB THICKNESS $\frac{.070}{1.78}$ MAX

Ordering Information 14068 Series

Series No.	No. of Contacts	Contact Plating	
14068	- 04P	T	- PB
14068 Series	04P ~ 24P	T: Tin S1: Gold Flash S5: 5u" Gold S10: 10u" Gold S15: 15u" Gold S30: 30u" Gold [S: Selective Gold]	RoHs
* PIN LENGTH CAN BE CHANGED TO CUSTOM'S SPECIFICATION			

Dimensional Information

Circuits	Dim.A± ^{.008} _{0.20}	Dim.B± ^{.008} _{0.20}	Dim.C± ^{.008} _{0.20}	Circuits	Dim.A± ^{.008} _{0.20}	Dim.B± ^{.008} _{0.20}	Dim.C± ^{.008} _{0.20}	Circuits	Dim.A± ^{.008} _{0.20}	Dim.B± ^{.008} _{0.20}	Dim.C± ^{.008} _{0.20}
4	.740 18.81	.165 4.20	.653 16.60	6	.906 23.01	.331 8.40	.819 20.80	8	1.071 27.21	.496 12.60	.984 25.00
10	1.237 31.41	.661 16.80	1.150 29.20	12	1.402 35.61	.828 21.00	1.315 33.40	14	1.567 39.81	.992 25.20	1.480 37.60
16	1.733 44.01	1.157 29.40	1.646 41.80	18	1.898 48.21	1.323 33.60	1.811 46.00	20	2.063 52.41	1.488 37.80	1.976 50.20
22	2.229 56.61	1.654 42.00	2.142 54.40	24	2.394 60.81	1.819 46.20	2.307 58.60				